



# Electronic security hardware

Securitron product catalogue

**ASSA ABLOY**  
Opening Solutions

Experience a safer  
and more open world

# When we come together, great things happen.

As the world's premier supplier of electric locking systems and access control components, Securitron®, an ASSA ABLOY Group range, excels in manufacturing a wide range of products, from electromagnetic locks and accessories, power supplies, digital entry systems and much more. Securitron® is known for its continued commitment to excellence in customer service and product quality.

## An industry leader

Securitron® was founded in 1977 in Phoenix, Arizona. In the USA they have developed a reputation for high quality products with industry-leading strength and durability. Just over twenty years ago they became part of the ASSA ABLOY group which has allowed the products to be sold across the world and Securitron® products are now available from ASSA ABLOY Opening Solutions in the UK.

As the world's leading lock group, ASSA ABLOY offers a more complete range of door opening solutions than any other company on the market. In the fast-growing electromechanical security segment, the Group has a leading position in areas such as access control, identification technology, entrance automation and hotel security. Since its formation in 1994, ASSA ABLOY has grown from a regional company into an international group with approximately 51,000 employees and operations in over 70 countries.

## Lifetime warranty

Securitron® products are of the highest quality manufactured in our state-of-the-art facility in Phoenix, Arizona where they undergo rigorous testing and quality checks. This enables us to offer a market-leading lifetime warranty, giving our customers confidence and peace of mind.

## A bright future

Backed by the strength of ASSA ABLOY, Securitron® continues to grow. Our LEED Silver designed, eco-friendly manufacturing facility in Phoenix, AZ features improved energy efficiency, air quality and sustainability.

# Electronic security hardware

## Securitron product catalogue

### Electromagnetic locks

<b>Sustainable Magnalocks</b>	
Securitron M380E EcoMag .....	6
<b>Intelligent Magnalocks</b>	
Securitron M680E EcoMag .....	8
<b>Durable Magnalocks</b>	
Securitron M32 .....	10
Securitron M62 .....	12
Securitron M82 .....	14
Securitron M38 .....	16
Securitron DM62 .....	18
<b>Recessed Magnalocks</b>	
Securitron M34R .....	20
<b>Shear Magnalocks</b>	
Securitron SAM .....	22
Securitron SAM2-24 .....	24
Securitron Magnalock selection guide & options .....	26

### Cabinet locks

Securitron MCL .....	28
----------------------	----

### Special locks

Securitron GL1 Gate Lock .....	30
Securitron MM15 MEMLOCK .....	32

### Keypads

<b>Keypad systems</b>	
Securitron DK-12 .....	34
Securitron DK-26 .....	36

### Push buttons & egress devices

<b>Emergency exit buttons</b>	
Securitron EEB Series .....	38
<b>Push buttons</b>	
Securitron PB5 Series .....	39
<b>Keyswitches</b>	
Securitron MK .....	40
<b>Egress bars</b>	
Securitron DSB Dual Bar .....	41

### Power transfers

<b>Concealed power transfers</b>	
Securitron CEPT .....	43
<b>Electric hinges</b>	
Securitron EH .....	45
Glossary .....	46



MagnaCare  
Warranty

# MagnaCare<sup>®</sup> Lifetime Replacement Warranty

## The Industry's Best Warranty

- **Lifetime** — We guarantee our products, and since we've been making Magnalocks for over 35 years that's a promise you can trust
- **No-Fault** — For any reason, including but not limited to installation error, vandalism or act of God
- **Tomorrow** — Replacement product is shipped at Securitron's expense, next day air if needed
- **Hassle Free** — No product registration is required

At ASSA ABLOY, we pay special attention to the needs of our customers. Our 1.800.MAGLOCK sales and service support line puts you in touch with our knowledgeable and friendly team to assist you with the smallest detail, or the most difficult application, including free wiring diagrams. In 1999, Securitron introduced the first "no strings attached" warranty program called MagnaCare, because we believe quality products and quality service should be the expectation, not the exception. ASSA ABLOY Electronic Security Hardware continues this tradition on all Securitron Maglocks and many other products.

Select products are covered under ASSA ABLOY Electronic Security Hardware's other warranty programs. Full details are available at [assaabloyesh.com](http://assaabloyesh.com).

# ASSA ABLOY electronic security hardware

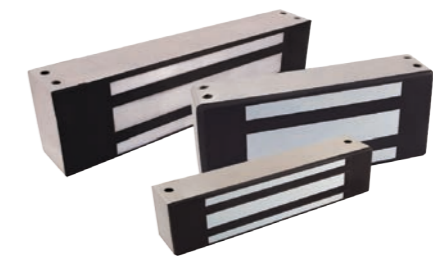
*The premier supplier of electromagnetic locking solutions.*

When you choose a genuine Securitron<sup>®</sup> Magnalock<sup>®</sup>, you get quality solutions for high traffic and high security applications plus MagnaCare<sup>®</sup> Lifetime Replacement no-fault warranty



## Intelligent & Sustainable Magnalocks

- Available with PIR REX, BondSTAT<sup>®</sup> and DPS reduce the number of devices to buy and install at the door.
- Sleek, low profile and refined lines for aesthetically demanding applications.
- Template and bracket mounting system enable accurate alignment of magnet and armature plate for maximum holding force, installs in less than 22 minutes.
- Reduces energy consumption by up to 80%.



## Durable Magnalocks

- Lower power usage than competitor locks. At three watts (less wattage than a typical nightlight), a Securitron<sup>®</sup> Magnalock<sup>®</sup> operates efficiently with a smaller power supply, thinner wiring and longer battery backup. Securitron<sup>®</sup> Magnalocks<sup>®</sup> consume less energy, generate less heat and outlast the competition.
- 100% waterproof design, shock absorbing polyurethane, stainless steel casing and plated lock face that is impervious to corrosion operate from -40°F to 140°F [-40°C to 60°C].
- Instant release circuit with no residual magnetism and no inductive kickback.



MagnaCare  
Warranty

## All Securitron<sup>®</sup> Magnalocks<sup>®</sup> Include

- Automatic dual-voltage uses 12 or 24 volt power supply and protects Magnalock<sup>®</sup>
- World-class technical support experts, ready to assist you in selecting hardware, wiring and troubleshooting your opening
- Collapsing blind nuts, securely anchor Magnalocks<sup>®</sup> to the frame with 1,000 lbs of tensile strength
- Excellent product quality—Magnalocks<sup>®</sup> are manufactured in an ISO9001 and ISO14001 certified factory in Phoenix, AZ
- MagnaCare<sup>®</sup>, the best warranty in the industry – lifetime replacement, no-fault, no questions asked

# Securiton® M380E Series Magnalock®

272kg (600lbs) holding force, bracket mounted, sustainable Magnalock®



With integrated features such as built-in smart voltage sensing, tamper sensor and an updated strike plate mounting template, the Securiton® M380E joins the Securiton® M680E in the family of sustainable magnalocks.

The Securiton M380EBD and M380EBDX models offer additional integrations, such as Securiton's patented BondSTAT lock sensor, Door Position Switch, built-in door prop sensing (which allows the magnet to de-energize the coil when the door is held open for extended periods), and a passive infrared request to exit (PIR REX).

## Features

### Standard features

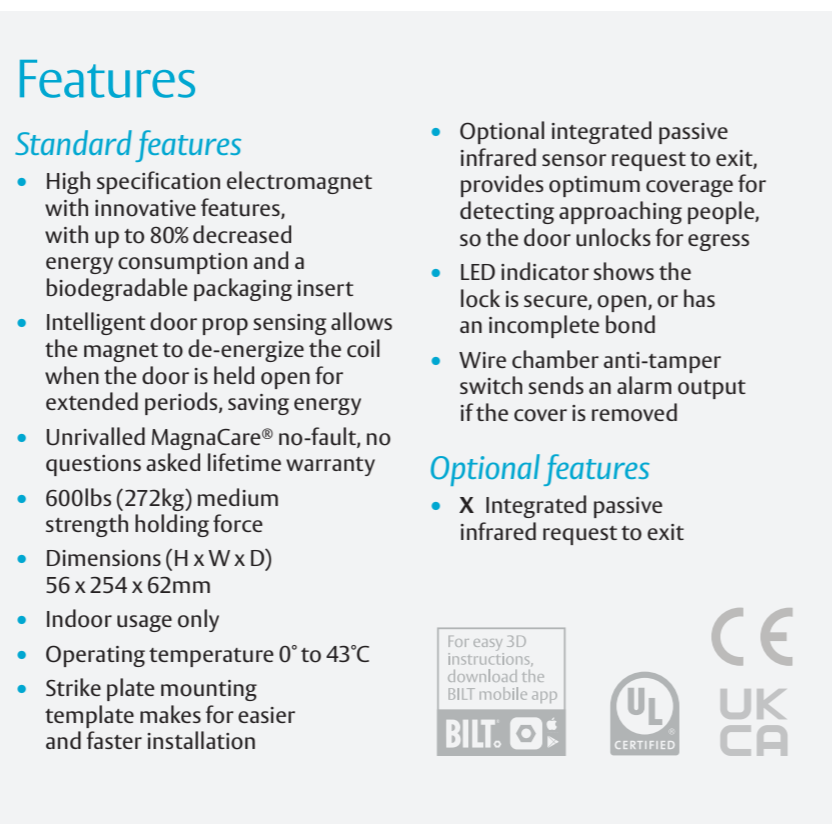
- High specification electromagnet with innovative features, with up to 80% decreased energy consumption and a biodegradable packaging insert
- Intelligent door prop sensing allows the magnet to de-energize the coil when the door is held open for extended periods, saving energy
- Unrivalled MagnaCare® no-fault, no questions asked lifetime warranty
- 600lbs (272kg) medium strength holding force
- Dimensions (H x W x D) 56 x 254 x 62mm
- Indoor usage only
- Operating temperature 0° to 43°C
- Strike plate mounting template makes for easier and faster installation

- Optional integrated passive infrared sensor request to exit, provides optimum coverage for detecting approaching people, so the door unlocks for egress
- LED indicator shows the lock is secure, open, or has an incomplete bond
- Wire chamber anti-tamper switch sends an alarm output if the cover is removed

### Optional features

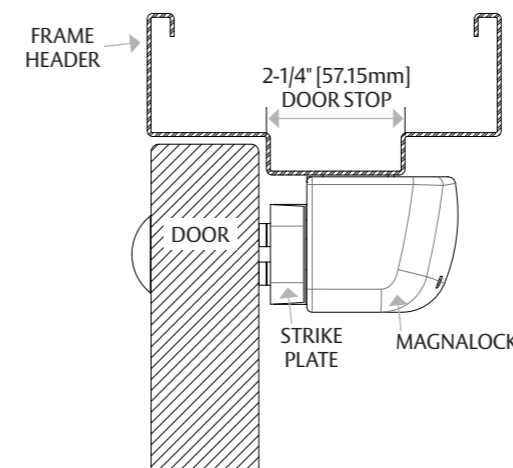
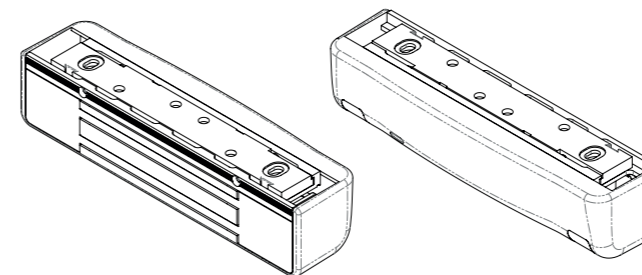
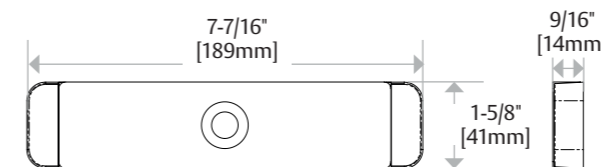
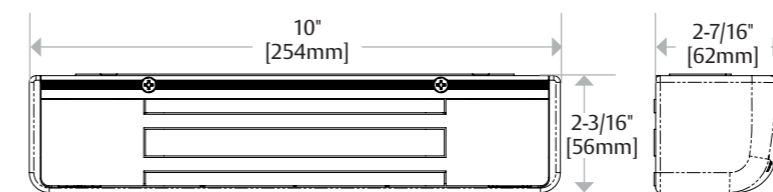
- X Integrated passive infrared request to exit

For easy 3D instructions, download the BILT mobile app

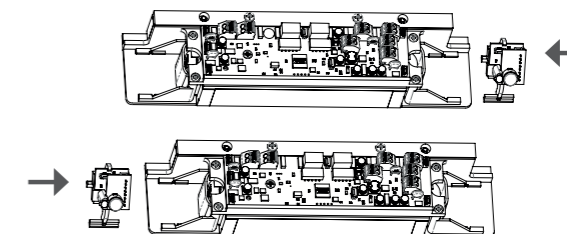


## Securiton M380E Series Magnalock

### Dimensions



Fits in 2-1/4" [57.15mm] of flat mounting space



The optional REX is designed as a modular component that can be installed on either the left side or the right side of the magnet. The position of the REX module can be easily field configured for better positioning on the door.

### Specifications

#### Electrical consumption

- Average power draw (±10%) 140mA at 12V DC and 90mA at 24V DC
- Maximum power draw (±10%) 585mA at 12V DC and 310mA at 24V DC
- REX Power (±10%) +25mA at 12V DC and +10mA at 24V DC. A separate continuous power is required to power the REX.

#### Holding force

- 600 lbs [272kg]

#### Operating temperature

- 32° to 110°F [0° to 43°C]
- Indoor use only

#### Shipping weight

- 6.5 lbs [2.94kg]

#### Finish

- Satin anodised aluminium, Satin stainless steel

#### Standards

- CE marked (EMC, R&TTE), UKCA
- Lifetime guarantee

### How to order

Order code	Description	Finish
M380EBDM-628	Eco Magnalock 380 600LBS 12/24VDC BondSTAT, DPS	SAA
M380EBDM-630	Eco Magnalock 380 600LBS 12/24VDC BondSTAT, DPS	SSS
M380EBDM-X-628	Eco Magnalock 380 600LBS 12/24VDC BondSTAT, DPS, REX	SAA
M380EBDM-X-630	Eco Magnalock 380 600LBS 12/24VDC BondSTAT, DPS, REX	SSS

# Securitron® M680E EcoMag Sustainable Magnalock®

544kg (1,200lbs) holding force, bracket mounted, sustainable Magnalock



The Securitron® M680E is intelligent, with built-in door prop sensing allowing the magnet to de-energize the coil when the door is held open for extended periods.

The Securitron® M680EBD offers built-in smart voltage sensing, integrated patented BondSTAT, tamper sensor as well as door position status monitoring. The aesthetics and design finishes of the EcoMag are refined enough for the most discriminating designer openings. It also offers the fastest, easiest, most secure installation of any bracket mount maglock with an updated strike plate mounting template. The optional integrated request to exit (REX) provides optimum coverage for detecting an approaching person so the door unlocks for egress.

## Features

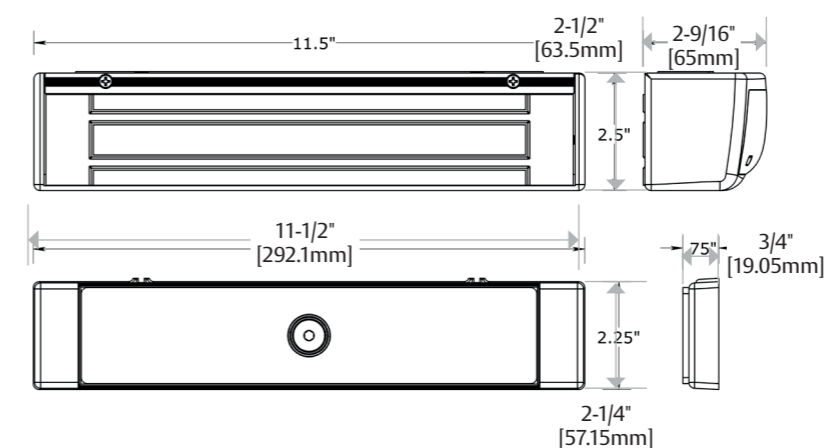
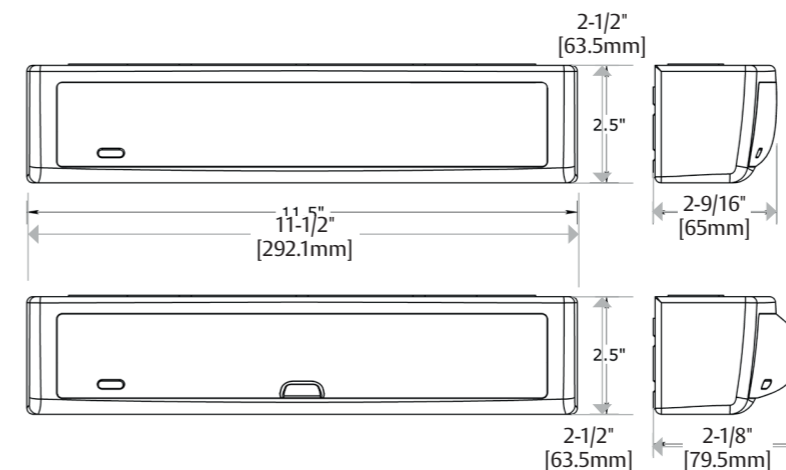
### Standard features

- High specification electromagnet with innovative features, with up to 80% decreased energy consumption and a biodegradable packaging insert
- Intelligent door prop sensing allows the magnet to de-energize the coil when the door is held open for extended periods, saving energy
- 1200lbs (544kg) high strength holding force
- Unrivalled MagnaCare® no-fault, no questions asked lifetime warranty
- Strike plate mounting template makes for easier and faster installation
- Optional integrated passive infrared sensor request to exit, provides optimum coverage for detecting approaching people, so the door unlocks for egress
- LED indicator shows the lock is secure, open, or has an incomplete bond
- Wire chamber anti-tamper switch sends an alarm output if the cover is removed
- Indoor usage only
- Dimensions (H x W x D) 56 x 254 x 62mm
- Operating temperature 0° to 43°C



## Securitron M680E EcoMag Sustainable Magnalock

### Dimensions



### Specifications

#### Electrical

- Average power draw (±10%) 140mA at 12V DC and 90mA at 24V DC
- Maximum power draw (±10%) 585mA at 12V DC and 310mA at 24V DC
- REX Power (±10%) +25mA at 12V DC and +10mA at 24V DC. A separate continuous power is required to power the REX

#### Holding force

- 1,200 lbs [544kg]

#### Operating temperature

- 32° to 110°F [0° to 43°C]
- Indoor use only

#### Shipping weight

- 8 lbs [3.6kg]

#### Finish

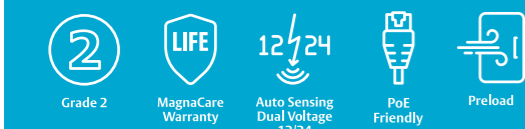
- Satin anodised aluminium

#### Standards

- CE marked (EMC, R&TTE), UKCA
- Lifetime guarantee

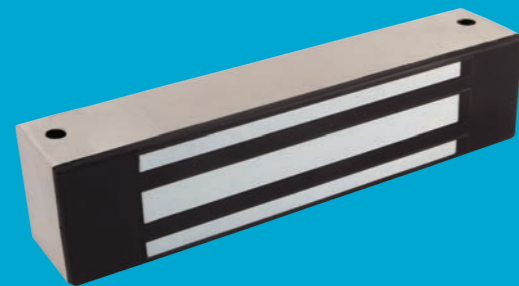
### How to order

Order code	Description	Finish
M680EBDM-628	Eco Magnalock 680 1,200LBS 12/24VDC BondSTAT, DPS	SA
M680EBDM-X-628	680 1,200LBS 12/24VDC BondSTAT, DPS, REX	SA



# Securitron® M32 Magnalock®

272kg (600lbs) holding force  
direct mounted Magnalock



Highly durable, medium strength electromagnet supplied with a lifetime warranty.

Ideal for traffic control in both indoor and outdoor high-use areas within secured or monitored perimeters, where physical assault on doors is not expected.

## Features

### Standard features

- Unrivalled MagnaCare® no-fault, no questions asked lifetime warranty
- 272kg (600lbs) medium strength holding force
- Patented instant release circuit eliminates residual magnetism, for easy opening and closing
- Efficient and low power usage
- Automatic dual-voltage configuration with no field adjustment required
- Fully sealed tamper proof and weatherproof electronics
- Rust resistant with all ferrous metal surfaces plated for durability and external use
- Optional ultra-secure collapsing blind nuts mount to door frame for strength and reliability
- Noise suppression with built-in MOV (Metal Oxide Varistor), a voltage suppression device that filters and clamps the transient in an electrical circuit
- Indoor and outdoor use
- Operational temperature range -40 to +60C

- Dimensions (H x W x D) 47 x 203 x 41mm
- Conductor cable 3.05m jacketed and stranded
- Accessories:
  - Energy Absorbing Sex Bolt (EASB) provides additional protection and shock absorption to maintain holding force, when door experiences dynamic forces such as kicks or repeated blows. Ideal for use insecure units, detentions centres or administrative and perimeter doors
  - Sex bolt replacement (SB1) replaces standard armature sex bolt supplied

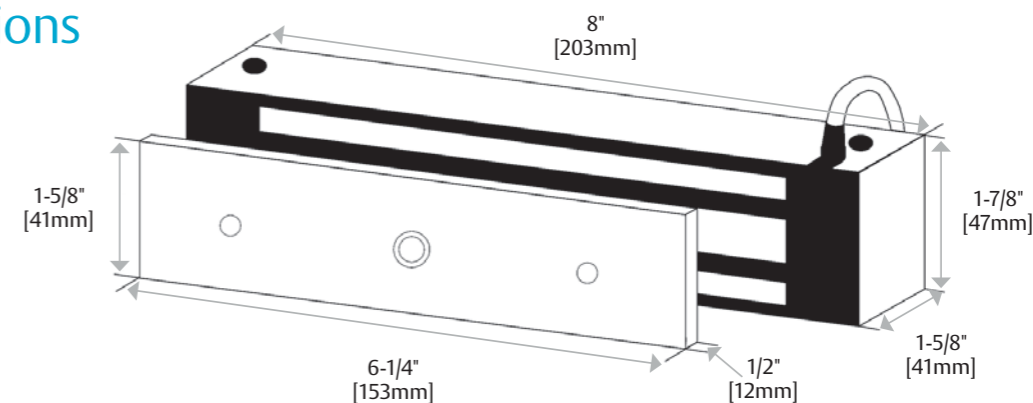
### Optional features

- **F** Face drilled
- **B** Patented BondSTAT magnetic bond sensor
- **D** Integrated Door Position Switch (DPS)



## Securitron M32 Magnalock

### Dimensions



### Specifications

#### Electrical

- Current drawer 300mA at 12V DC and 150mA at 24V DC

#### Holding force

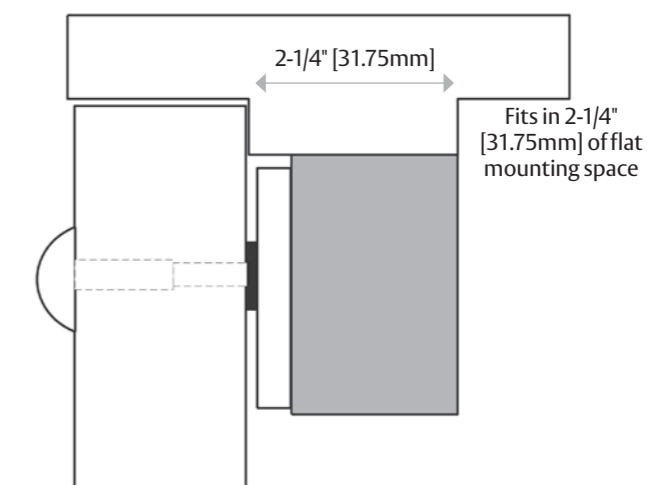
- 600 lbs [272kg]

#### Operating temperature

- -40° to 140°F [-40° to 60°C]
- Indoor or Outdoor use

#### Shipping weight

- 6 lbs [2.72kg]



#### Finishes

- M32 - Brushed stainless steel,
- EASB-32 - White, SB-1 - Satin chrome

#### Standards

- CE EMC, R&TTE marked, UKCA
- Lifetime guarantee

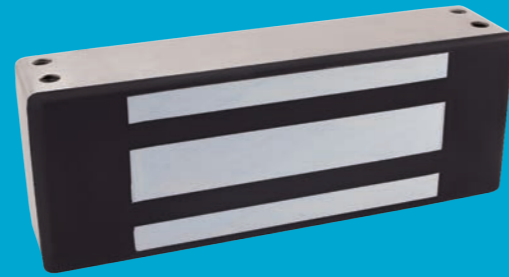
### How to order

Order code	Description	Finish
M32BM	M32 ECO MAGNALOCK - 12/24 VDC 272KG (600LBS) MBS	BSS
M32FBM	M32 MAGNALOCK - 12/24 VDC FACE DRILLED 272KG (600LBS) - MBS	BSS
M32FBDM	M32 Magnalock face drilled (600LBS) 12/24VDC BondSTAT, DPS	BSS
APS-32M	M32 Armature plate	BSS
ASS-32M	M32 Split armature plate – fixings & sex bolt	BSS
EASB-32	Energy Absorbing sex bolt – model M32	W
SB-1	Sex bolt replacement	SAA
ZA-32/62CLM	Adjustable Z A bracket - M32F and M62F	SAA



# Securitron® M62 Magnalock®

544kg (1,200lbs) holding force,  
bracket mounted, sustainable  
Magnalock



Highly durable,  
high strength  
electromagnet  
supplied with a  
lifetime warranty.

Ideal for interior, perimeter and exterior  
access control system applications,  
with higher security requirements.

## Features

### Standard features

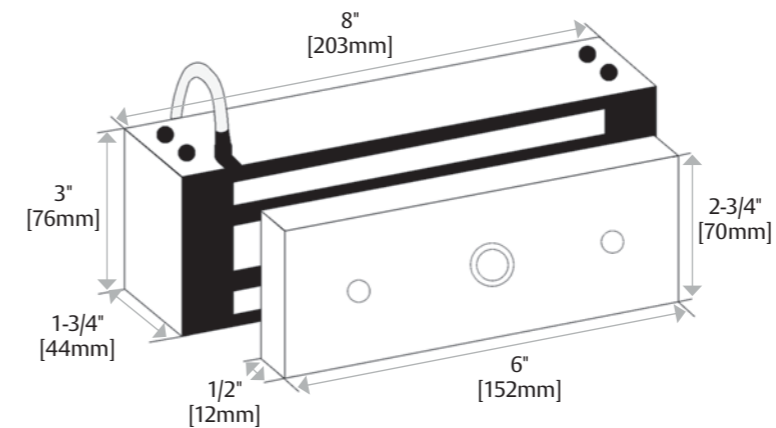
- Unrivalled MagnaCare® no-fault, no questions asked lifetime warranty
- 1200lbs (544kg) high strength holding force
- Patented instant release circuit for easy opening and closing
- Efficient and low power usage
- Automatic dual-voltage configuration with no field adjustment required
- Fully sealed tamper proof and weatherproof electronics
- Rust resistant with all ferrous metal surfaces plated for durability and external use
- Surface mounts easily with mounting bracket for easy installation
- Ultra-secure collapsing blind nuts mount to door frame for strength and reliability
- Noise suppression with built-in MOV (Metal Oxide Varistor), a voltage suppression device that filters and clamps the transient in an electrical circuit
- Dimensions (H x W x D)  
38 x 268 x 21mm

- Conductor cable 3.05m jacketed and stranded
- Accessories:
  - Energy Absorbing Sex Bolt (EASB) offers extra protection and shock absorption to maintain holding force, when door experiences dynamic forces such as repeated blows.



## Securitron M62 Magnalock

### Dimensions



### Specifications

#### Electrical

- Current drawer 250mA at 12V DC and 150mA at 24V DC

#### Holding force

- 1,200 lbs [544kg]

#### Operating temperature

- -40° to 140°F [-40° to 60°C]
- Indoor or Outdoor use

#### Shipping weight

- 11 lbs [5kg]

#### Finishes

- M32 - Brushed stainless steel,
- EASB-62 - White, B-1 - Satin chrome

#### Standards

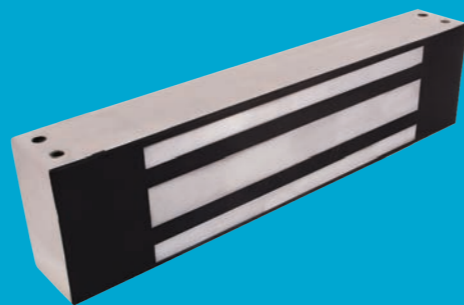
- CE marked (EMC, R&TTE), UKCA
- Lifetime guarantee

### How to order

Order code	Description	Finish
M62BM	M62 Magnalock 1200LBS 12/24VDC BondSTAT	BSS
M62FBM	M62 Magnalock face drilled 1200LBS 12/24VDC BondSTAT	BSS
EASB-62	Energy Absorbing sex bolt – model M62	W
ZA-32/62CLM	Adjustable Z A bracket - M32F and M62F	SAA

# Securitron<sup>®</sup> M82 Magnalock<sup>®</sup>

816kg (1,800lbs) holding force  
direct mounted Magnalock



Highly durable,  
extreme strength  
electromagnet,  
supplied with a  
lifetime warranty.

Ideal for high security and high risk  
indoor and outdoor applications, where  
extreme forces may be encountered.

## Features

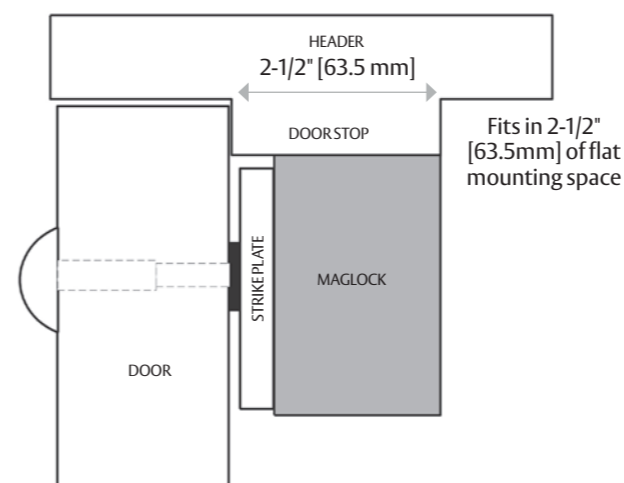
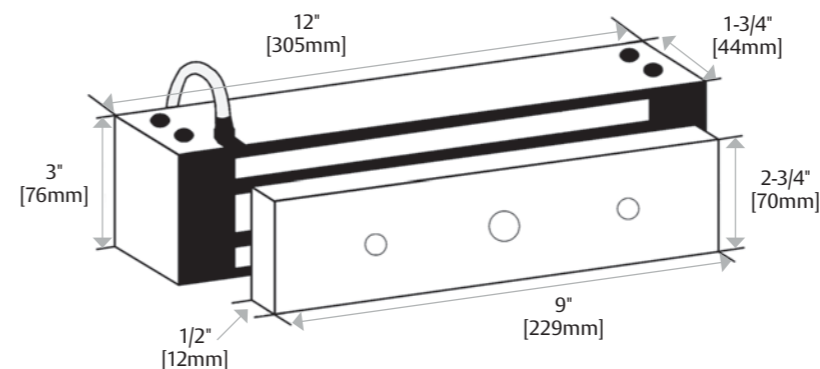
### Standard features

- Unrivalled MagnaCare<sup>®</sup> no-fault, no questions asked lifetime warranty
- 816kg (1,800lbs) extreme strength holding force
- Patented instant release circuit, for easy opening and closing
- Efficient and low power usage
- Automatic dual-voltage configuration with no field adjustment required
- Fully sealed tamper proof and weatherproof electronics
- Surface mounts easily with mounting bracket for easy installation
- Suitable for indoor and outdoor usage
- Operational temperature range -40 to +60C
- Ultra-secure collapsing blind nuts mount to door frame for strength and reliability
- Noise suppression with built-in MOV (Metal Oxide Varistor), a voltage suppression device that filters and clamps the transient in an electrical circuit
- Dimensions (H x W x D)  
76 x 305 x 44mm



## Securitron M82 Magnalock

### Dimensions



### Specifications

#### Electrical

- Current drawer 350mA at 12V DC and 200mA at 24V DC

#### Holding force

- 1,800 lbs [816kg]

#### Operating temperature

- -40° to 140°F [-40° to 60°C]
- Indoor or Outdoor use

#### Shipping weight

- 16 lbs [7.26kg]

#### Finishes

- M82 - Brushed stainless steel,
- EASB-82 - White

#### Standards

- CE marked (EMC, R&TTE), UKCA
- Lifetime guarantee

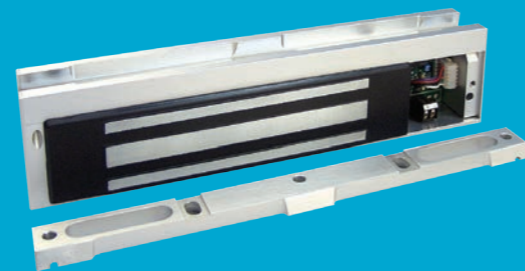
### How to order

Order code	Description	Finish
M82BM	M82 Magnalock 1800LBS 12/24VDC BondSTAT	BSS
M82BDM	M82 Magnalock 1800LBS 12/24VDC BondSTAT, DPS	BSS
M82FBM	M82 Magnalock face drilled 1800LBS 12/24VDC BondSTAT	BSS
M82FBDM	M82 Magnalock face drilled 1800LBS 12/24VDC BondSTAT, DPS	BSS
M82GBM	M82 Magnalock Gate conduit 1800LBS 12/24 VDC BondSTAT	BSS
AOS-82	M82 Offset armature plate	N/A
EASB-82	Energy Absorbing sex bolt – model M82	W
ZA-82CLM	Adjustable Z A bracket – M82F	SAA



# Securitron® M38 Series Magnalock®

272kg (600lbs) holding force,  
bracket mounted Magnalock



Highly durable,  
medium strength  
electromagnet  
supplied with a  
lifetime warranty.

Ideal for traffic control in internal  
high-use areas within secured  
or monitored perimeters.

## Features

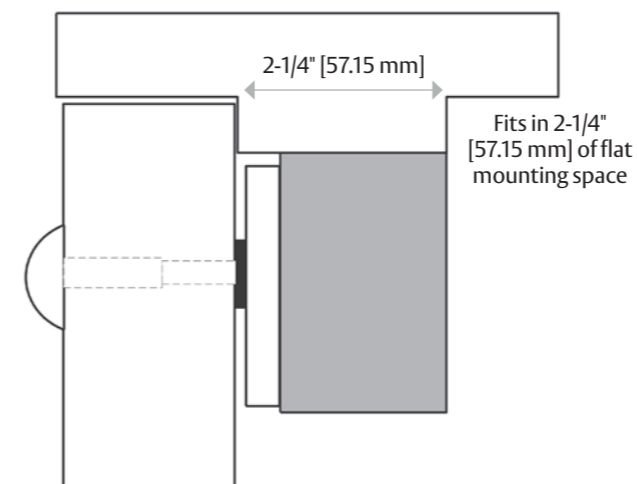
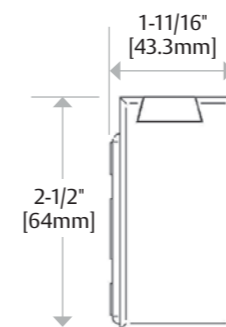
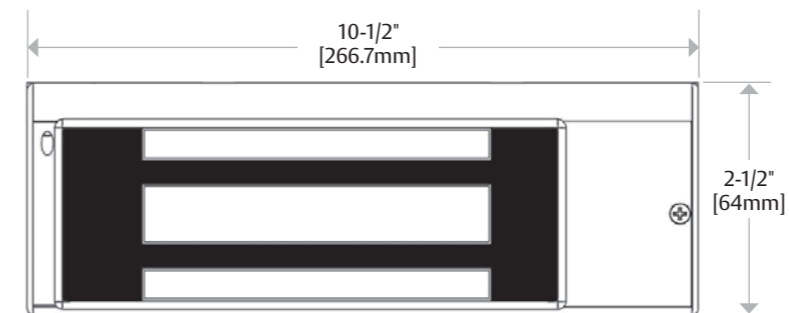
### Standard features

- Unrivalled MagnaCare® no-fault, no questions asked lifetime warranty
- 272kg (600lbs) medium strength holding force
- Patented instant release circuit eliminates residual magnetism, for easy opening and closing
- Efficient and low power usage
- Automatic dual-voltage configuration with no field adjustment required
- Internal wire access chamber
- Rust resistant with all ferrous metal surfaces plated for durability and external use
- Surface mounts easily with mounting bracket using minimal tools for easy installation
- Bracket mounting and internal wiring chamber allows quick and accurate installation
- Ultra-secure collapsing blind nuts mount to door frame for strength and reliability
- Noise suppression with built-in MOV (Metal Oxide Varistor), a voltage suppression device that filters and clamps the transient in an electrical circuit
- Dimensions (H x W x D) 64 x 266.7 x 43.3mm
- Suitable for indoor usage
- Operational temperature range -40 to +60C



## Securitron M38 Series Magnalock

### Dimensions



### Specifications

#### Electrical

- Current drawer 350mA at 12V DC and 170mA at 24V DC

#### Holding force

- 600 lbs [272kg]

#### Operating temperature

- 32° to 110°F [0° to 43°C]
- Indoor use only

#### Shipping weight

- 8 lbs [3.63kg]

#### Finish

- Brushed aluminium

#### Standards

- CE marked (EMC, R&TTE), UKCA
- Lifetime guarantee

### How to order

Order code	Description	Finish
M38D	M38 Magnalock 600LBS 12/24VDC DPS (door position switch)	BA
M38DLT	M32 M38 Magnalock 600LBS 12/24VDC DPS, LED, Tamper	BA

# Securitron® DM62 Magnalock®

The ultimate 544kg (1,200lbs) holding force Magnalock double magnet for indoor/outdoor high security



Highly durably, high strength double electromagnet, supplied with a lifetime warranty.

Ideal for double doors in interior, perimeter and exterior access control system applications, with higher security requirements.

## Features

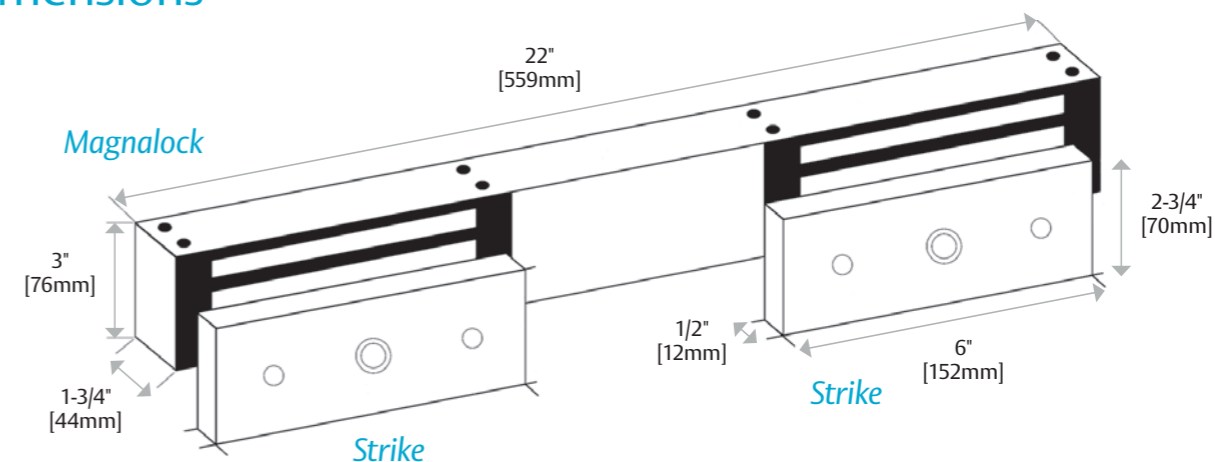
### Standard features

- Unrivalled MagnaCare® no-fault, no questions asked lifetime warranty
- 544kg (1,200lbs) high strength holding force per lock
- Both electromagnets can be controlled as one or individually
- Patented instant release circuit eliminates residual magnetism, for easy opening and closing
- Efficient and low power usage
- Automatic dual-voltage configuration with no field adjustment required
- Fully sealed tamper proof and weatherproof electronics
- Rust resistant with all ferrous metal surfaces plated for durability and external use
- Surface mounts easily with mounting bracket using minimal tools for easy installation
- Ultra-secure collapsing blind nuts mount to door frame for strength and reliability
- Noise suppression with built-in MOV (Metal Oxide Varistor), a voltage suppression device that filters and clamps the transient in an electrical circuit
- Indoor and outdoor use
- Operational temperature range -40 to +60C
- Dimensions 76 x 559 x 44mm
- Conductor cable 1m jacketed and stranded



## Securitron DM62 Magnalock

### Dimensions



## Specifications

### Electrical (per lock)

- Current draw 250mA at 12V DC and 150mA at 24V DC per lock

### Holding force (per lock)

- 1,200 lbs [544kg]

### Operating temperature

- -40° to 140°F [-40° to 60°C]
- Indoor or Outdoor use

### Shipping weight

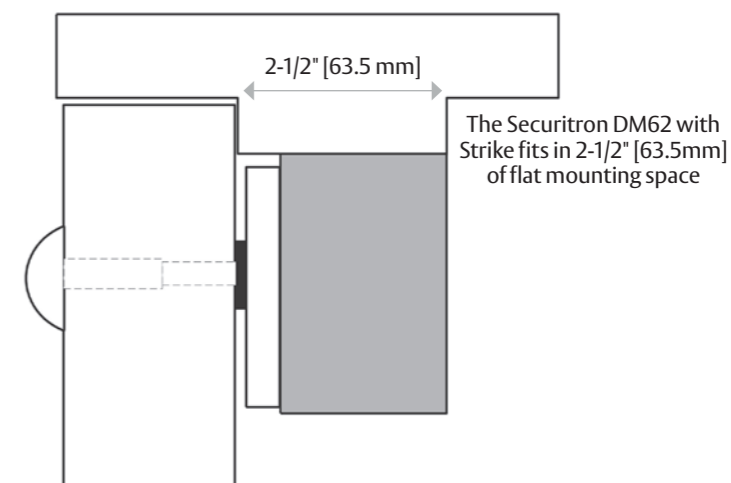
- 16 lbs [7.26kg]

### Finish

- Brushed stainless steel

### Standards

- CE marked (EMC, R&TTE), UKCA
- Lifetime guarantee



## How to order

Order code	Description	Finish
DM62M	M62 Magnalock 1200LBS 12/24VDC	BSS
DM62BDM	M62 Magnalock 1200LBS 12/24VDC BondSTAT, DPS	BSS



# Securitron<sup>®</sup> M34R Recessed Magnalock<sup>®</sup>

227kg (500lbs) holding force,  
recessed Magnalock



Highly durable,  
medium strength,  
recessed  
electromagnet  
supplied with a  
lifetime warranty.

The recessed design conceals the body and makes it ideal for automatic sliding doors.

## Features

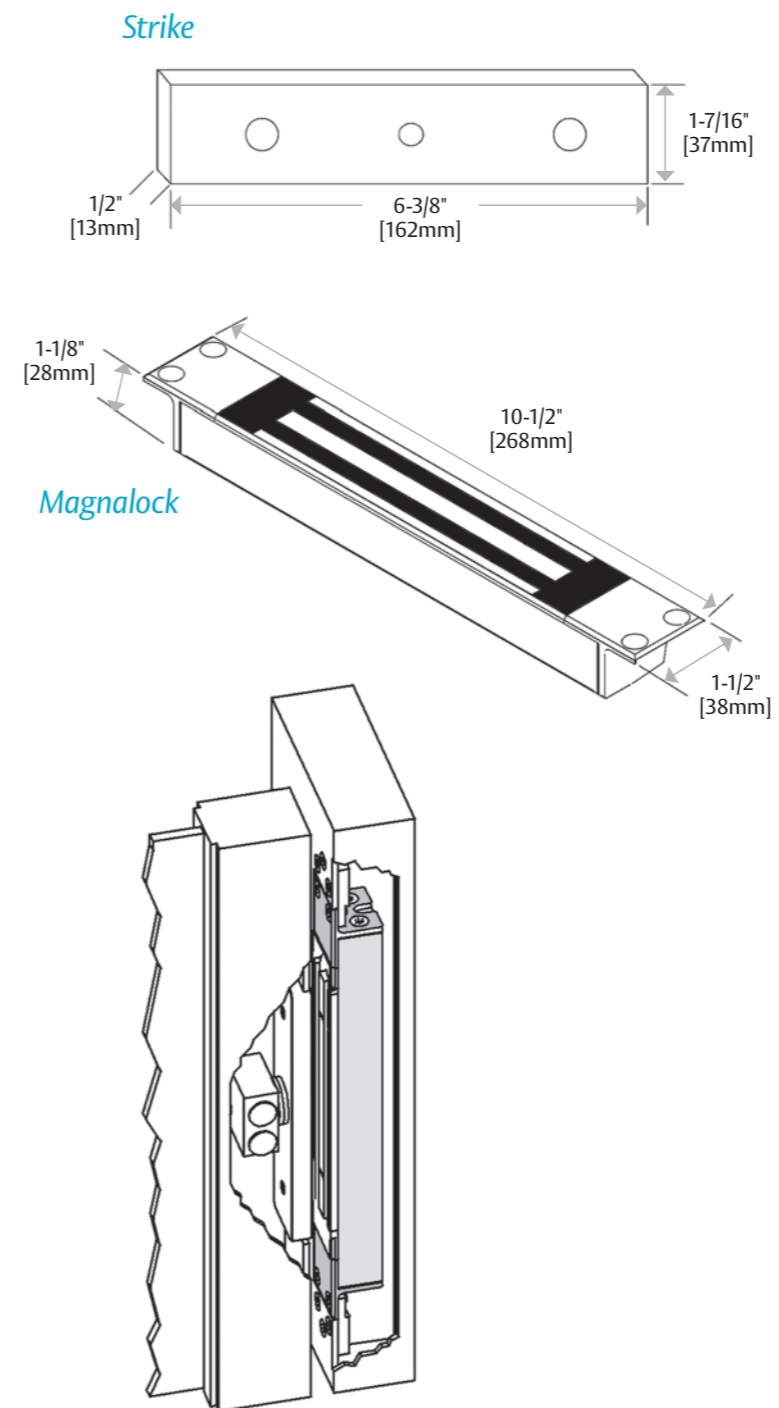
### Standard features

- Unrivalled MagnaCare<sup>®</sup> no-fault, no questions asked lifetime warranty
- 227kg (500lbs) medium strength holding force
- Dimensions (H x W x D) 38 x 268 x 28mm
- Conductor cable 3.05m jacketed and stranded
- Recessed and direct mounted within door frame for security and a sleek look
- Patented instant release circuit eliminates residual magnetism, for easy opening and closing
- Efficient and low power usage
- Automatic dual-voltage configuration with no field adjustment required
- Fully sealed tamper proof and weatherproof electronics
- Rust resistant with all ferrous metal surfaces plated for durability and external use
- Mounted using steel machine screws into blind finishing nuts for strength
- Noise suppression with built-in MOV (Metal Oxide Varistor), a voltage suppression device that filters and clamps the transient in an electrical circuit



## Securitron M34R Magnalock

### Dimensions



### Specifications

#### Certifications

- UL 294 listed
- CAN4-S104, CAN/ULC-S533 Listed
- CSFM—California State Fire Marshal Approved
- CE:EN 50081-1(92), EN 61000-6-2(99) Approved

#### Electrical

- Current drawer 320mA at 12V DC and 170mA at 24V DC

#### Holding force

- 500 lbs [227kg]

#### Operating temperature

- -40° to 140°F [-40° to 60°C]
- Indoor or Outdoor use

#### Shipping weight

- 5 lbs [2.23kg]

#### Finish

- Brushed aluminium

#### Standards

- CE marked (EMC, R&TTE), UKCA
- Lifetime guarantee

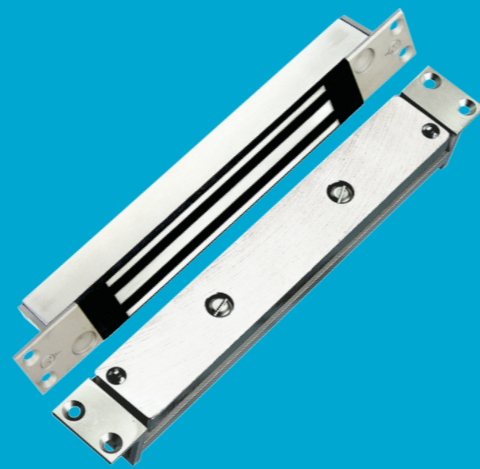
### How to order

Order code	Description	Finish
M34RM	M34R Recessed Magnalock 500LBS 12/24VDC	BA
M34RBM	M34R Recessed Magnalock 500LBS 12/24VDC BondSTAT	BA
M34RBDM	M34R Recessed Magnalock 500LBS 12/24VDC BondSTAT, DPS	BA



# Securitron® SAM Shear Aligning Magnalock®

544kg (1,200lbs) holding force, shear aligning Magnalock



For traffic control and with its flexible mounting options caters for most challenging door control situations.

## Features

### Standard features

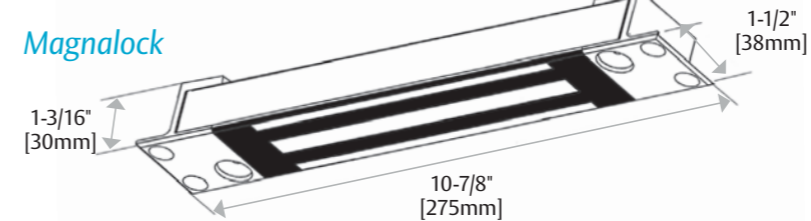
- Unrivalled MagnaCare® no-fault, no questions asked lifetime warranty
- 1,200lbs (544kg) high strength holding force
- Direct mounted and recessed into door frame to maintain the aesthetics of doors and added strength
- Suitable for wood, steel, aluminium doors and latching in any position, at the header, door edge or threshold
- Mounting options for a single door or each leaf on a pair of doors and on in-swing, out-swing or swing-through doors
- Patented instant release circuit eliminates residual magnetism, for easy opening and closing
- Efficient and low power usage
- Automatic dual-voltage configuration with no field adjustment required
- Fully sealed tamper proof and weatherproof electronics
- Rust resistant with all ferrous metal surfaces plated for durability and external use
- Noise suppression with built-in MOV (Metal Oxide Varistor), a voltage suppression device that filters and clamps the transient in an electrical circuit
- Indoor and outdoor use
- Dimensions (H x W x D) 30 x 275 x 38mm
- Operating temperature -40° to 60°C
- Conductor cable 3.05m jacketed and stranded



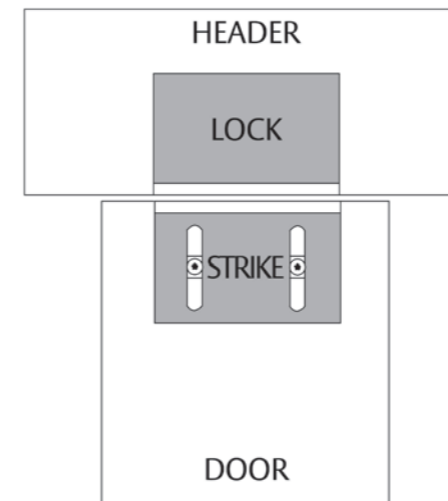
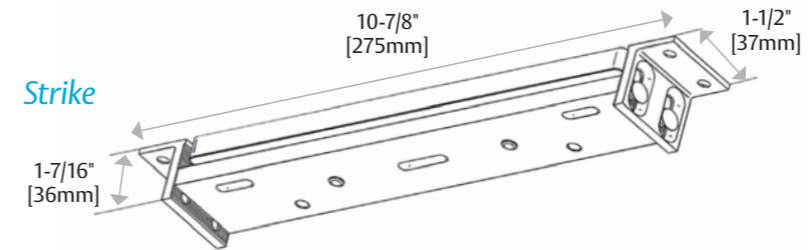
## Securitron SAM Magnalock

### Dimensions

Magnalock



Strike



### Specifications

#### Electrical

- Current drawer 320mA at 12V DC and 170mA at 24V DC

#### Holding force

- 1,200 lbs [544kg]

#### Operating temperature

- -40° to 140°F [-40° to 60°C]
- Indoor or Outdoor use
- Not for use in open channel doors

#### Shipping weight

- 6 lbs [2.72kg]

#### Finish

- Brushed stainless steel

#### Standards

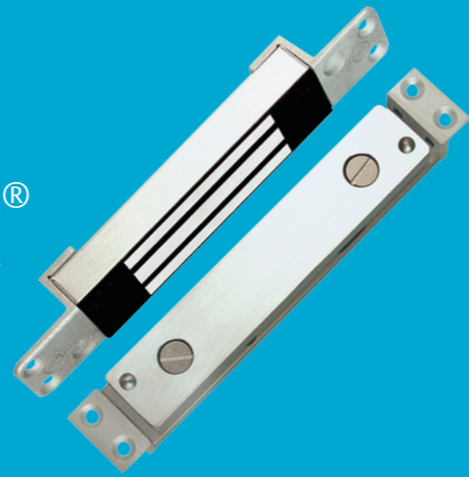
- CE marked (EMC, R&TTE), UKCA
- Lifetime guarantee

### How to order

Order code	Description	Finish
SAMM	SAM SHEAR ALIGNING MAGNALOCK 1200LBS 12/24VDC	BSS
SAMBM	SAM SHEAR ALIGNING MAGNALOCK 1200LBS 12/24VDC BondSTAT	BSS
SAMBDM	SAM SHEAR ALIGNING MAGNALOCK 1200LBS 12/24VDC BondSTAT, DPS	BSS
SMLS	SURFACE MOUNT HOUSING LOCK	SS
SMSS	SURFACE MOUNT HOUSING FOR ARMATURE PLATE	SS

# Securitron<sup>®</sup> SAM2-24 Shear Aligning Magnalock<sup>®</sup>

272kg (600lbs) holding force,  
shear aligning Magnalock



Highly durable,  
compact and  
concealed  
shear aligning  
electromagnet,  
supplied with a  
lifetime warranty.

For smaller traffic control  
applications on swinging doors  
where installation space is tight.

## Features

### Standard features

- Unrivalled MagnaCare<sup>®</sup> no-fault, no questions asked lifetime warranty
- 600lbs (272kg) medium strength holding force
- Compact design allows installation in tight spaces
- Direct mounted and recessed into door frame to maintain the aesthetics of doors and added strength
- Suitable for wood, steel, aluminium or glass doors and latching in any position, at the header, door edge or threshold
- Patented instant release circuit eliminates residual magnetism, for easy opening and closing
- Efficient and low power usage
- Fully sealed tamper proof and weatherproof electronics
- Rust resistant with all ferrous metal surfaces plated for durability and external use
- Noise suppression with built-in MOV (Metal Oxide Varistor), a voltage suppression device that filters and clamps the transient in an electrical circuit
- Indoor and outdoor use
- Dimensions (H x W x D) 24 x 183 x 29mm
- Operating temperature -40° to 60°C
- Current drawer 84mA at 24V DC only
- Conductor cable 1.8m jacketed and stranded

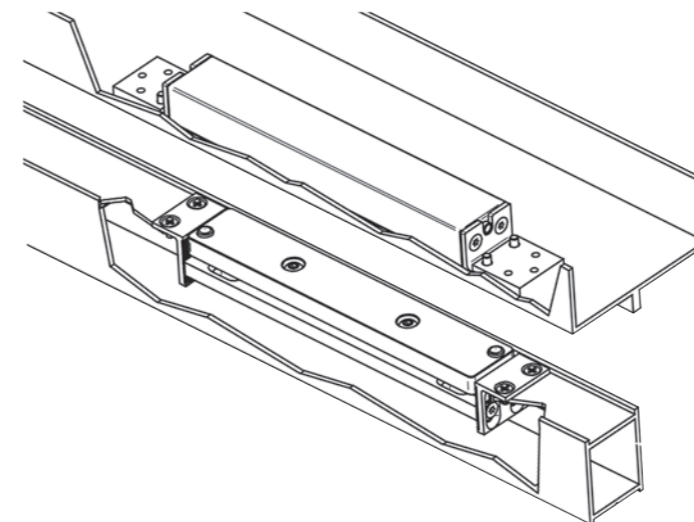
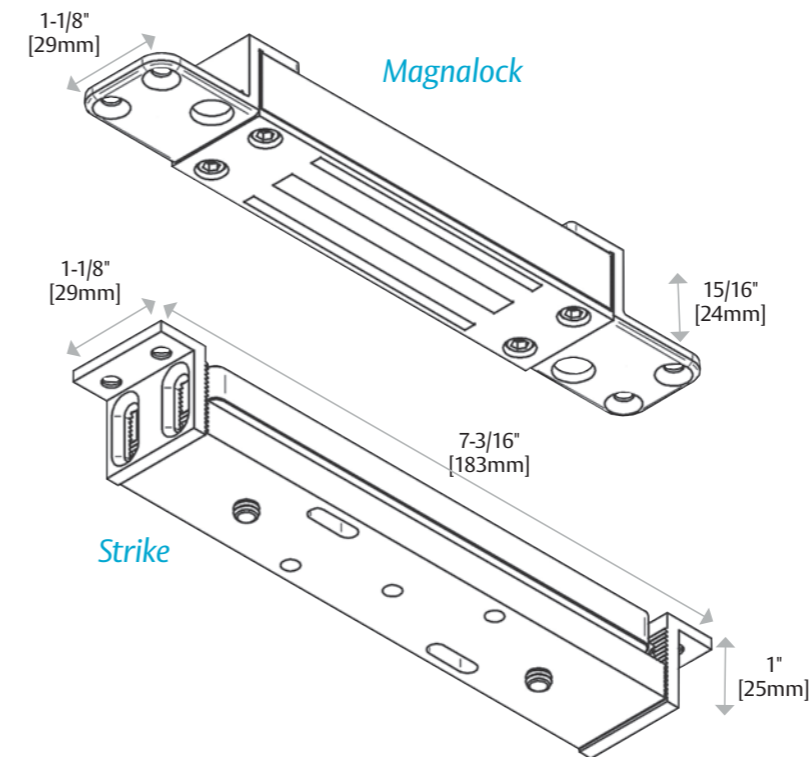
### Optional features

- C Bond sensor



## Securitron SAM2-24 Magnalock

### Dimensions



### Specifications

#### Electrical

- Current drawer 84mA at 24V DC only

#### Holding force

- 600 lbs [272kg]

#### Operating temperature

- -40° to 140°F [-40° to 60°C]
- Indoor or outdoor use
- Not for use in open channel doors

#### Shipping weight

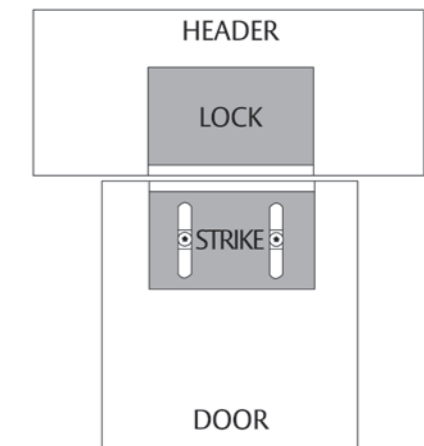
- 2.5 lbs [1.13kg]

#### Finish

- Brushed stainless steel

#### Standards

- CE marked (EMC, R&TTE), UKCA
- Lifetime guarantee



### How to order

Order code	Description	Finish
SAM2-24	SAM2-24 Shear Aligning Magnalock 1200LBS 24VDC	BSS
SAM2C-24	SAM2-24 Shear Aligning Magnalock 1200LBS 24VDC, Bond Sensor	BSS



# Genuine Magnalock® selection guide

## Out-swing door Magnalock selection guide

Locks mount on the secure side of the door and door swings away from secure side. Dual doors will require two locks (x2), one for each leaf (except for DM62).

Preferred Application = x

Door Type	M32	M380	M62	M680E	M82	SAM
Glass Door (w/ Aluminum Frame)	x	x		x		
Wood Door (Traffic Control)	x	x				
Wood Door (High Security)			x	x	x	
Metal Door (Traffic Control)	x	x				
Metal Door (High Security)			x	x	x	
Herculite Door (w/out Top or Bottom Rail)	x			x		
Herculite Door (w/Top or Bottom Rail)				x		x

## In-swing door Magnalock selection guide

Locks mounted on the secure side of the door and door swings toward secure side. Dual doors will require two locks (x2), one for each leaf.

Preferred Application = x

Door type	M32F	M38	M62F	M68	M82F
Glass Door (w/ Aluminum Frame)	x	x			
Wood Door (Traffic Control)	x	x			
Wood Door (High Security)			x	x	
Metal Door (Traffic Control)		x			
Metal Door (High Security)			x	x	x

# Securitron® Magnalock® options

### Anti-tamper sensor (T)

The Anti-Tamper option provides a Single Pole Double Throw (SPDT) switch output that indicates if the wire access chamber cover has been tampered with or removed. When connected to an alarm point on an alarm panel or access control system, it offers real-time notification of tampering attempts.

### Door position switch (D)

The Door Position Switch (DPS) provides a signal to an access control system indicating whether the door is open or closed. When used in conjunction with BondSTAT or SenSTAT, it provides layered status indication for precise information about the door state. The DPS may be ordered included with many Securitron Magnalocks — or as an upgrade kit.

### BondSTAT (B)

BondSTAT is the next generation of patented electromagnetic lock monitoring. BondSTAT delivers unparalleled peace of mind by detecting an armature plate and notifying access control and/or alarm systems that a door is properly secured. BondSTAT's sensitive magnetic field monitors the entire surface of the armature plate, providing maximum assurance that the lock is engaged. Movement in the armature's position beyond the set tolerance alerts the access control system that the Magnalock may not be generating its full holding force.

### Conduit fitting (G)

The conduit fitting option is offered on some Magnalocks that can be used for gate-mounting applications and features a 3/4" outer diameter and 1/2" inner diameter.

### Offset strike plate (OS)

An Offset Strike Plate may be required for proper installation of a Magnalock in aluminum frame door applications.

### Split strike plate (SS)

A Split Strike Plate may be used for a double door with no mullion to provide traffic control using a single Magnalock.

### Face mount (F)

Face Mount Magnalock options provide the holes for the mounting bolts through the face of the magnet in a front-to back orientation rather than through the magnet bottom-to-top.

### LED (L)

The LED provides a local visual indicator of the status of the lock. On locks with the BondSTAT option, the LED will be green when the lock is powered but not secure, and red when the lock is secure. Locks without the BondSTAT option will only indicate green when powered.

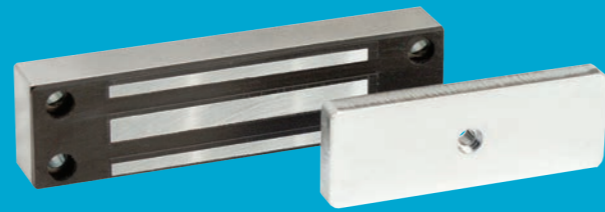
### Request to exit (X)

Some Securitron Magnalock models offer an integrated motion detector that automatically signals the lock to disengage when it detects approaching traffic, also known as request to exit (REX).

All Securitron Magnalocks are fail safe electric locking devices

# Securitron® MCL Cabinet Magnalock®

The compact versatile  
asset management cabinet  
locking solution



## Magnetic cabinet lock solutions for secure access control in any space.

Applications include jewellery cases, museum cases, pharmaceutical storage cabinets, cash drawers and any type of door or drawer, which will physically accommodate the lock. Works in both swinging and sliding cabinet door applications.

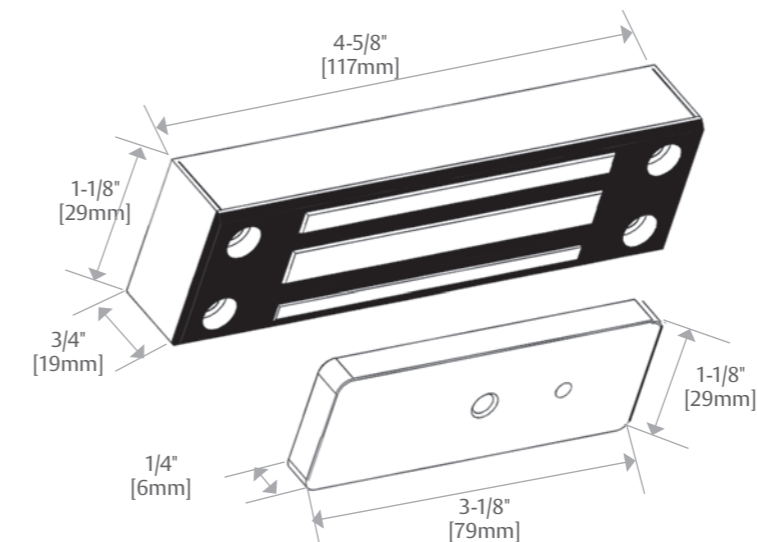
## Features

### Standard features

- MagnaCare® lifetime replacement, no-fault, no questions asked warranty
- Surface mounts easily with a minimum of tools
- Fully sealed electronics - tamper proof and weatherproof
- Mounted using steel machine screws
- Architectural brushed stainless steel finish
- All ferrous metal surfaces plated to MIL specification
- 1.8m of jacketed, stranded conductor
- Holding Force: Static Strength 170lbs (77kg)
- Includes universal mounting bracket
- Indoor or outdoor use
- Operating Temperature: -40° to 60°C
- Dimensions (H x W x D) 29 x 117 x 19mm

## Securitron MCL Cabinet Lock

## Dimensions



## Specifications

### Electrical

- Current drawer 84mA at 24V DC

### Holding force

- Static Strength 170 lbs

### Environmental

- Operating Temperature: 40° to 140°F [-40° to 60°C]
- Indoor or outdoor use

### Shipping weight

- 6 lbs [2.72kg]

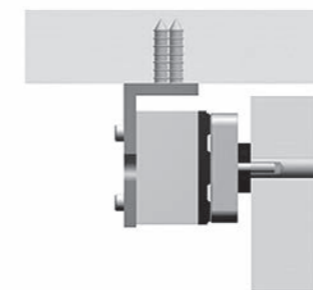
### Finish

- Stainless steel

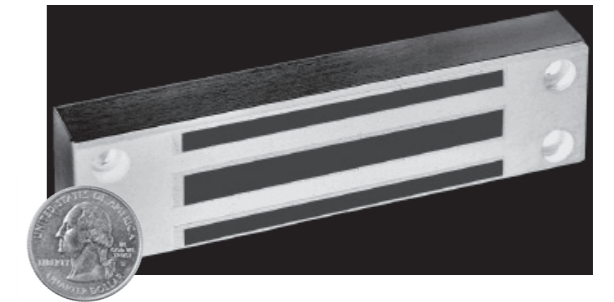
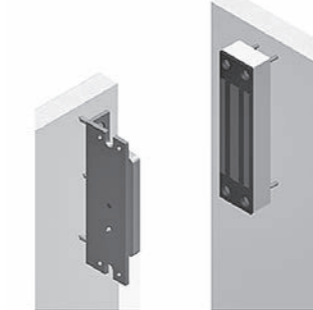
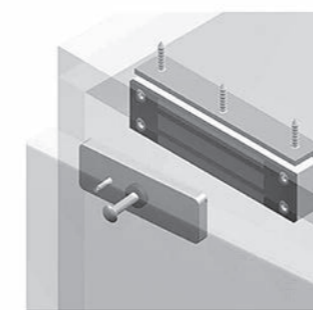
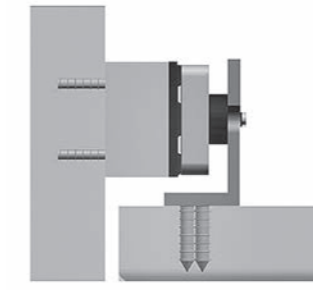
### Standards

- Lifetime guarantee

## Swinging door



## Sliding door



MagnaCare  
Warranty



Swinging  
Door



Sliding  
Door



Drawers



Outdoor  
Rated



Preload

## How to order

Order code	Description	Finish
MCL-24M	MCL-24 Cabinet Magnalock 170LBS 24V DC	SS

# Securiton® GL1 Gate Lock

Electromechanical gate solution offers one ton of holding power



The heavy duty Securiton GL1 Electromechanical Gate Lock provides weather-resistant access control for a wide range of gate applications.

The Securiton GL1 provides 2,000lbs (907kg) of holding force for electrical and manually operated indoor or outdoor gates where preload is a concern. Ideal for swinging or sliding vehicle, pedestrian or stock gate access control.

## Features

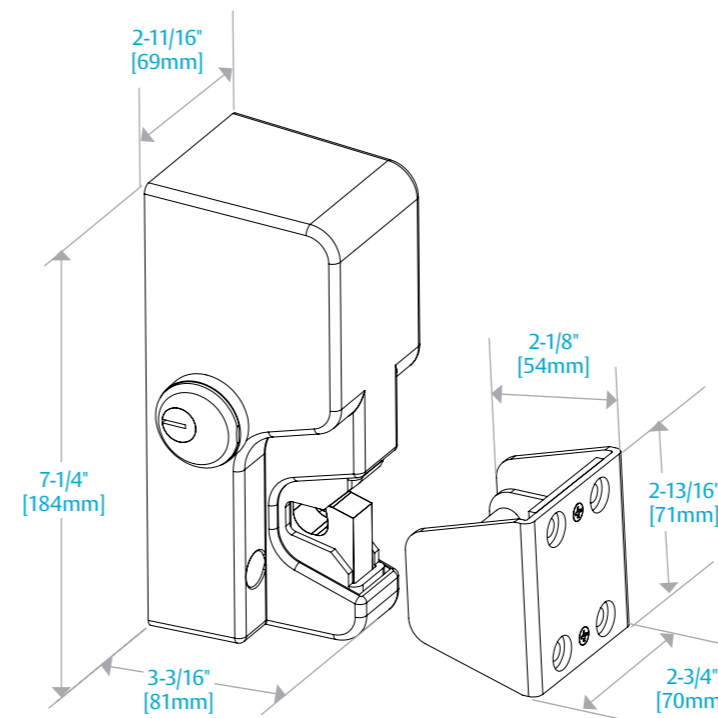
### Standard features

- Unrivalled MagnaCare® no-fault, no questions asked lifetime warranty
- Suitable for outdoor and indoor use
- 907kg (2,000lbs) high strength holding force
- Operates under preload up to 45kg
- Surface mounted
- Self-aligning receiver helps compensate for gate misalignment and sag
- Automatic dual-voltage configuration with no field adjustment required
- Tamper resistant cast housing for attack resistance
- Optional latch status monitor
- Operational temperature range -50 to +70°C
- Dimensions (H x W x D) body: 184 x 69 x 81mm
- Dimensions (H x W x D) strike: 71 x 70 x 54mm
- Accepts a standard mortise cylinder with Adams Rite MS cam for manual key override (not included). Only to be used with fail locked variant.



## Securiton GL1 Gate Lock

### Dimensions



### Specifications

#### Electrical

- 12 Volts Initial (Peak): (~1.0 sec.) at 870 mA — Reduced: 290 mA
- 24 Volts Initial (Peak): (~1.0 sec.) at 720 mA — Reduced: 170 mA

#### Holding force

- 2,000 lbs [907kg]

#### Operating temperature

- -58° to 167°F [-50° to 75°C]
- Indoor or outdoor use

#### Shipping weight

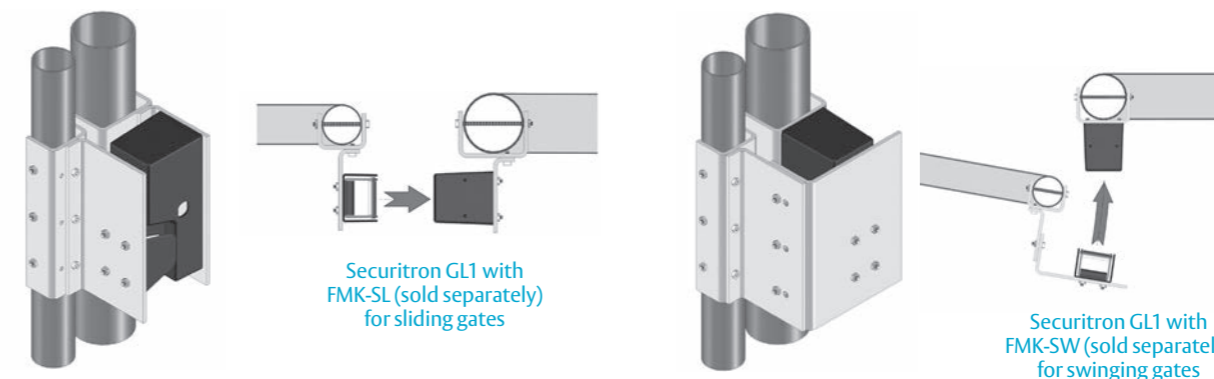
- 6 lbs [2.72kg]

#### Finishes

- Black

#### Standards

- CE marked (EMC, R&TTE), UKCA
- Certified in compliance with US standards. UL294 listed
- Lifetime guarantee



## How to order

Order code	Description	Finish
GL1-FLM	GL1 Gate lock 2000LBS 12/24VDC FAILED LOCKED, MONITORED	B
GL1-FSM	GL1 Gate lock 2000LBS 12/24VDC FAILED SAFE, MONITORED	B
FMK-SL	FLEX-Mount kit for sliding gate – GL1 & M62FG	N/A
FMK-SW	Flex-mount kit for swing gate – GL1 & M62FG	N/A

#### Notes

- Securiton® M62FG and Securiton® GL1 can be direct mounted on square posts
- To use Securiton® FMK-SW with Securiton® M62FG or Securiton® GL1, post separation should be 1" to 2-3/4" [25.4mm – 69-85mm]
- To use Securiton® FMK-SL with M62FG or Securiton® GL1, post separation should be 1" to 3-3/4" [25.4mm – 95.25mm]

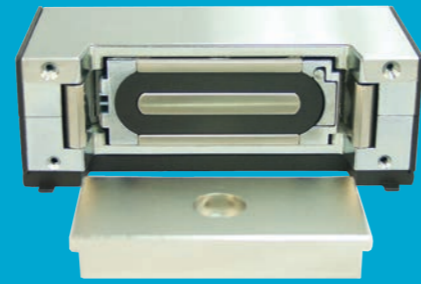


MagnaCare Warranty  
Auto Sensing Dual Voltage 12/24  
Outdoor Rated



# Securitron® MM15DT MEMLOCK® Magnetic & Mechanical Lock

Extreme strength magnetic electromechanical



Electromechanical lock with unique hybrid design, that offers unmatched resistance in a forced-entry assault.

Ideal for mental healthcare and auxiliary detention facilities and other high-risk locations.

## Features

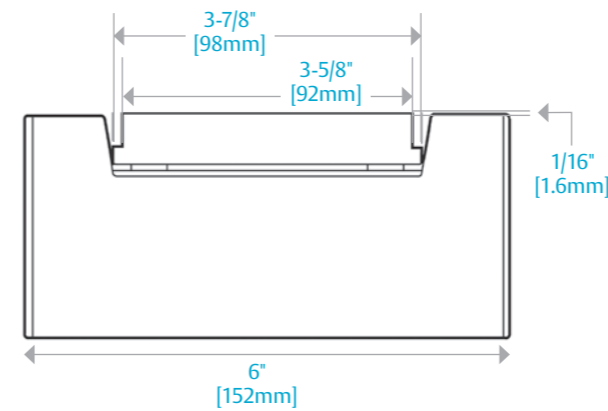
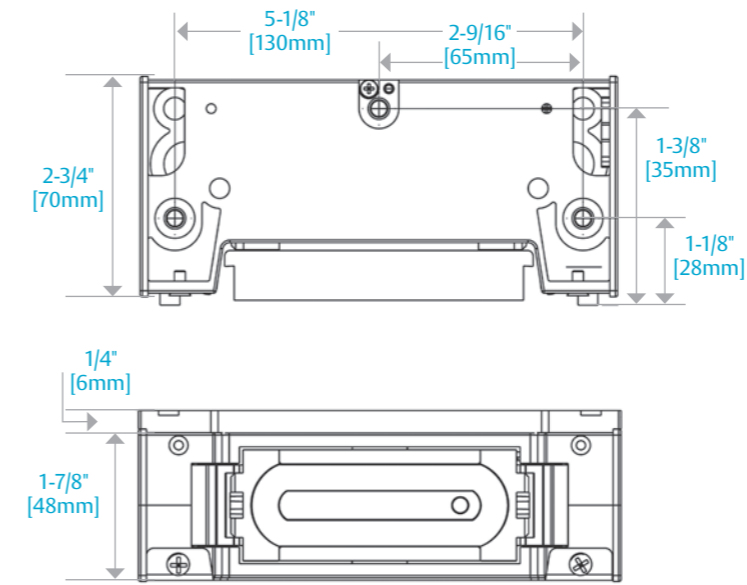
### Standard features

- Unrivalled MagnaCare® no-fault, no questions asked lifetime warranty
- 1,814kg (4000lbs) extreme strength holding force provides an unmatched level of security
- Unique hybrid jaw design includes two spring loaded, hardened steel jaws clamp down on the armature plate for unrivalled holding power
- Efficient and low power usage
- Automatic dual-voltage configuration with no field adjustment required
- Dual voltage (12/24) and dual current (AC/DC) operation
- AC Current: 130 mA at 12V AC and 250 mA at 24V AC
- DC Current: 100 mA at 12V DC and 200 mA at 24V DC
- Supplied with mounting plate providing easy and accurate installation
- Ultra-secure collapsing blind nuts mount to door frame for strength and reliability
- Size optimised for door closers
- Door position switch and anti-tamper switch
- Indoor use only
- Operational temperature range -40° to +60°C
- Dimensions (H x W x D) case: 48 x 152 x 70mm



## Securitron MM15 Magnetic and Mechanical Lock

### Dimensions



### Specifications

#### Electrical

- **AC Current:** 130 mA at 12 VAC; 250 mA at 24 VAC
- **DC Current:** 100 mA at 12 VDC; 200 mA at 24 VDC

#### Holding force

- 4,000 lbs [1814 kg]

#### Operating temperature

- -40° to 140°F [-40° to 60°C]
- Indoor use only

#### Shipping weight

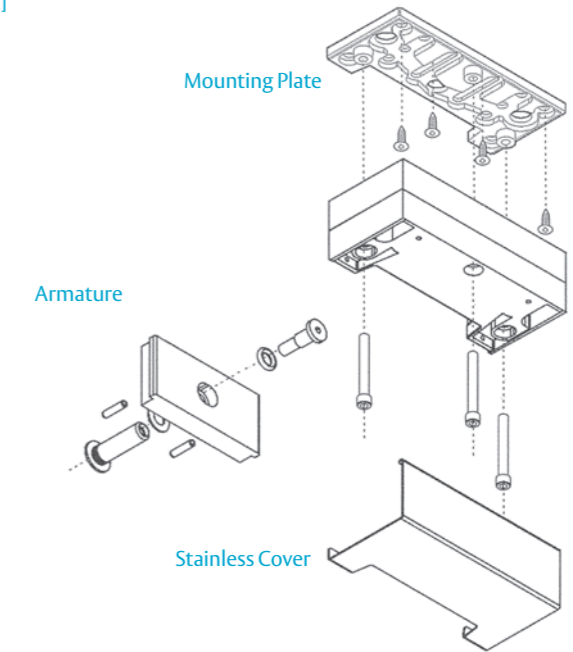
- 6 lbs [2.72kg]

#### Finishes

- Stainless steel

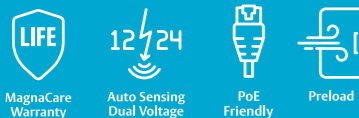
#### Standards

- CE marked (EMC, R&TTE), UKCA
- Lifetime guarantee



### How to order

Order code	Description	Finish
MM15DT	MM15 4000LB 12/24ACDCV Electro-mech compact lock dps tamper SW	SS
HEB-1CL-MM15	MM15 Header extension bracket 1 inch	SAA
Z-MM15CL	MM15 Z & L bracket	SAA



# Securitron® DK-12 Digital Keypad System

All-in-one keypad system  
for single door traffic control



All in one digital keypad system for single door traffic control with lower security requirements.

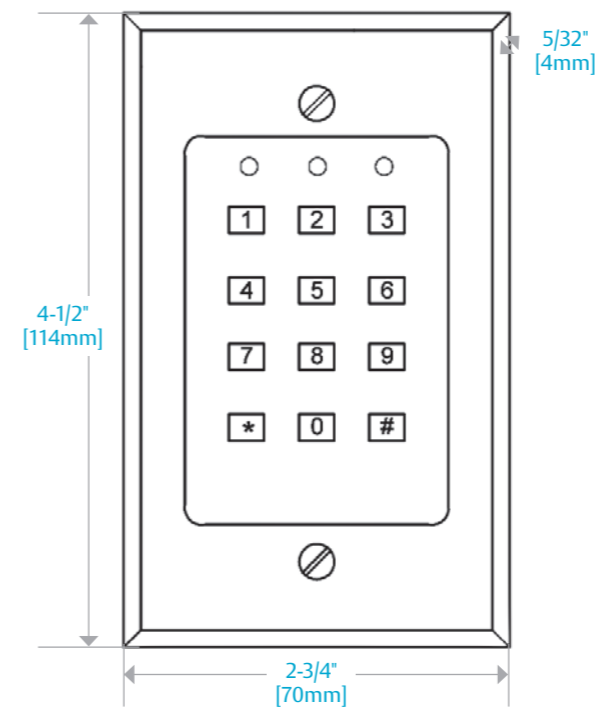
## Features

### Standard features

- MagnaCare® lifetime replacement, no-fault, no questions asked warranty
- Easy to install with simple hand tools
- Easy to program from the keypad
- Optional rain cover (WCC) and gasketed backbox (WBB) allow reliable use for exterior areas not directly exposed to rain or snow
- Single gang, stainless steel plate with low voltage mounting ring
- Supports 99 user codes
- 12-key illuminated 3x4 keypad
- True 10-digit operation (10 digits plus \* and # keys)
- Configurable audible keystroke echo
- Passage mode and lockout mode
- Red, green and yellow LEDs for status and programming feedback
- Fail locked or fail open configurable
- 5A SPDT timed, control relay output
- Request to exit (REX) input
- Operational temperature range -23°C to +60°C IP54 rated
- Current drawer:
  - 100mA at 12 or 24V DC
  - 325mA at 12 or 24V DC
  - Max 30V input
- 5A SPDT timed, control relay output
- Stainless steel faceplate dimensions (H x W x D): 114 x 70 x 4mm

## Securitron DK-12 Digital Keypad System

### Dimensions



### Specifications

#### Electrical

- 100 mA at 12 or 24 VDC  
325 mA at 12 or 24 VAC
- Max 30 Volt input
- 5A SPDT Relay

#### Operating temperature

- -10° to 140°F [-23° to 60°C]

#### Shipping weight

- 1lb [0.45kg]

#### Finish

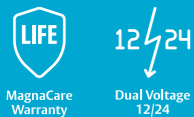
- Brushed stainless steel

#### Standards

- Lifetime guarantee

## How to order

Order code	Description	Finish
DK-12	DK-12 Single door digital keypad system	SS



MagnaCare  
Warranty

12/24

Dual Voltage  
12/24

# Securitron® DK-26 Digital Keypad System

Digital control system for narrow style outdoor applications



Digital keypad system for narrow style outdoor applications that provides medium to high security requirements with control of electric locks, in one or two door applications.

## Features

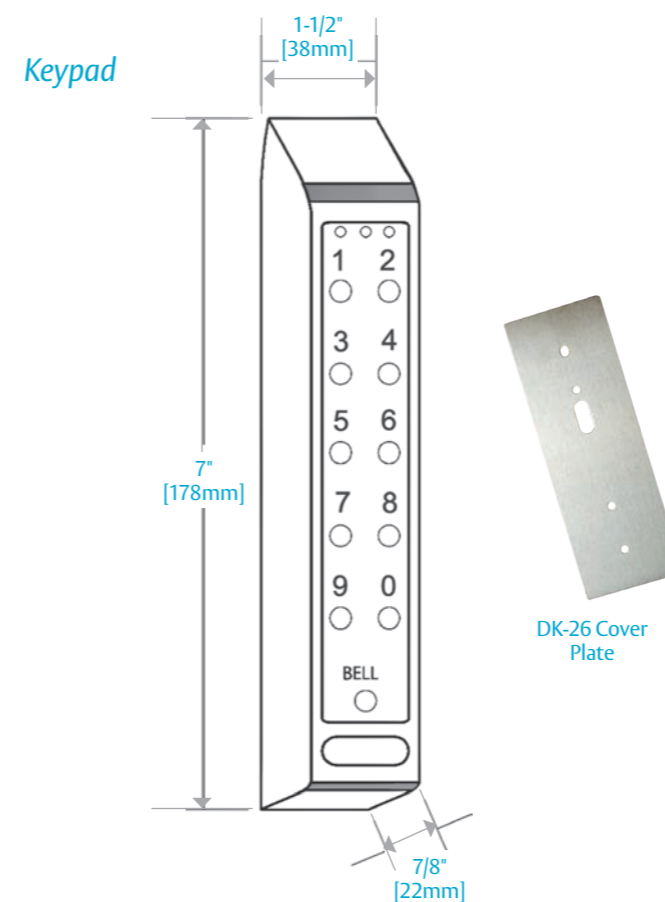
### Standard features

- MagnaCare® lifetime replacement, no-fault, no questions asked warranty
- Fully weatherproof and vandal resistant, rugged stainless steel keypad can be mounted in most outdoor environments
- Encased in a separate enclosure for secure installation
- Easy to program
- Cast stainless steel with 11 EPDM rubber keys
- Mounts on a narrow mullion
- Audible keystroke echo
- True 10-key operation (keys are not paired)
- 59 users with multiple entry codes
- User code and hard code disable feature
- Passage mode and lockout mode.
- Request to exit (REX) input
- Supplied with 4.8m 12 conductor, 22 gauge keypad cable
- Operational temperature range -23°C to +60°C
  - CPU 0°C to +70°C
  - Keypad -30°C to 70°C
- Current drawer:
  - 12 VAC/VDC: 7mA at rest; 160 mA active
  - 24 VAC/VDC: 20 mA at rest; 190 mA active
- Dimensions (H x W x D): 178 x 38 x 22mm

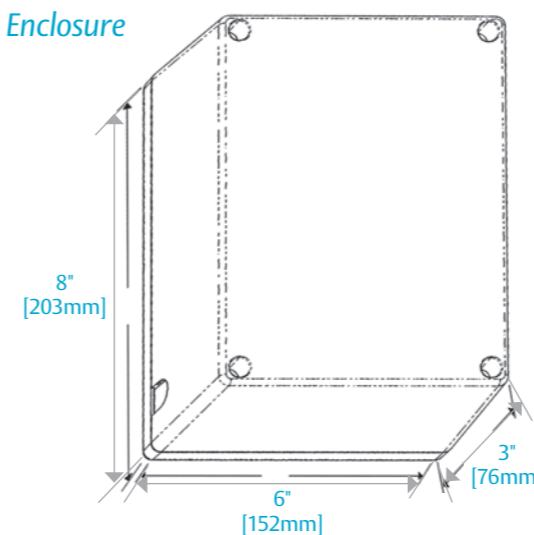


## Securitron DK-26 Digital Keypad System

### Dimensions



### Enclosure



### Specifications

#### Electrical

- 12 VAC/VDC: 7 mA at rest; 160 mA active
- 24 VAC/VDC: 20 mA at rest; 190 mA active

#### Operating temperature

- CPU: 32° to 158°F [0° to 70°C]
- Keypad: -22° to 158°F [-30° to 70°C]  
Indoor or Outdoor use

#### Shipping weight

- 5 lbs [2.27kg]

#### Finish

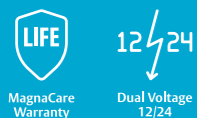
- Stainless steel

#### Standards

- CE marked (EMC, R&TTE), UKCA
- Lifetime guarantee

### How to order

Order code	Description	Finish
DK-26SS	DK-16 Digital keypad for narrow style – 59 code with control unit	SS



MagnaCare  
Warranty

12/24

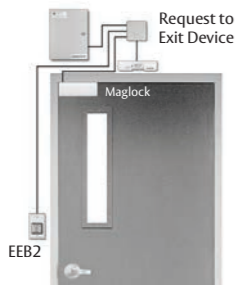
Dual Voltage  
12/24

# Securitron® EEB Emergency Exit Button

Redundant backup  
ensures safe egress



Emergency exit button provides additional safety and egress point in addition to when using a motion detector for a request to exit device.



## Features

### Standard features

- MagnaCare® lifetime replacement, no-fault, no questions asked warranty
- Momentarily pressing the button releases door for 30 seconds
- Retrigger able for added 30 second release
- Interchangeable green and red lense included as standard
- EEB2 includes switchable green, red and blue ADA lenses
- EEB3N includes switchable green and red lense
- Operates on 12 or 24 VDC (must be same voltage as the installed lock)
- Single gang plate dimensions: 4.5" x 2.75" [114mm x 70mm]
- Narrow stile plate: 4.5" x 1.75" [114mm x 44mm]
- SPDT 3 Amp wet N/C contacts
- For indoor use only

### Electrical

- 226 mA peak at 12 VDC
- 118 mA peak at 24 VDC
- 3A SPDT N/C Relay

### Finishes

- Stainless steel with green, red or blue lenses depending on model

### Standards

- Lifetime guarantee



# Securitron® PB5 Series Push Buttons

Medium round, illuminated  
push button



High quality Securitron Push Buttons are available in a broad selection of colors, sizes, switch types and outputs.

With a wide range of options for interchangeable lenses and field convertible outputs, Securitron push buttons can release any lock, alone or in conjunction with door closers and other hardware.

## Features

### Standard features

- MagnaCare® lifetime replacement, no-fault, no questions asked warranty
- Includes switchable green, red and blue ADA lenses
- 5 Amp rated contacts
- US style Stainless steel single gang plate 114mm x 70mm
- Field convertible from DPST (Double poll single throw) to DPDT (Double poll double throw)

## Specifications

### Dimensions

- Stainless steel single gang plate: 4-1/2" x 2-3/4" [114mm x 70mm]

### Electrical

- 9 mA at 12 VDC
- 20 mA at 24 VDC
- 5A rated contacts

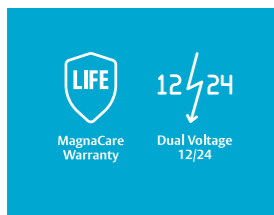
### Finishes

- Stainless steel with green, red and blue disability symbol

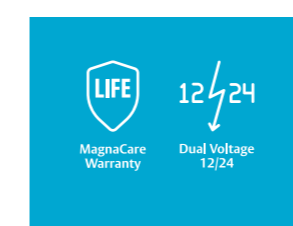
### Standards

- Lifetime guarantee

## How to order



Order code	Description	Finish
EBB2	EEB2 with switchable green, red, blue ADA lenses 30 sec timer - US single GANG	SS
EBB3N	EEB2 with switchable green, red lenses 30 sec timer - US narrow gang	SS
PB2-LK	Illumination kit for PB2E, PB5E, EEB2 Series Push Buttons	N/A
PB3-LK	Illumination kit, Grn/Red for PB3E/EEB3N Series	N/A



## How to order

Order code	Description	Finish
PB5	PB 2" Round momentary DPST with light	SS
PB5E	PB 2" Round momentary DPST W/O light	SS
PB2-LK	Illumination Kit for PB2E, PB5E, EEB2 Series Push Buttons	N/A

# Securitron<sup>®</sup> MK Mortise Keyswitch

Turns standard mortise cylinder  
into full featured keyswitch



Supports electric  
lock control, alarm  
panel override,  
reset and overriding  
when paired with  
any mortise cylinder  
1-1/8" to 1-1/2".

## Features

### Standard features

- MagnaCare<sup>®</sup> lifetime replacement, no-fault, no questions asked warranty
- For indoor use only
- Standard with 12 or 24VDC
- Bi-colour LED
- Backing bracket permits integration with any 1-1/4" [32mm] or 1-1/8" [28mm] mortise cylinder (not included)
- Additional switch position on backing bracket allows another switch to be activated by turning the key in the opposite direction
- 5 Amp rated plunger switch
- Includes anti-tamper screws
- 114mm length

### Finish

- Satin chrome

### Standards

- Lifetime guarantee

# Securitron<sup>®</sup> DSB Dual Sense<sup>®</sup> Bar

Dependable touch and  
mechanical release for superior  
safety and redundancy



The Dual Sense Bar  
(DSB) is for use on  
magnetically locked,  
non-fire-rated doors.

Specifically designed to address the most current building and life safety codes, the DSB features two independent switch circuits to release the lock. Simply touching the bar or engaging its mechanical movement will allow free egress. For indoor use only, the DSB can be installed on metal, aluminium or wood doors of all types. Meets "no special tools or knowledge" requirements.

## Features

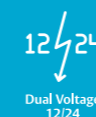
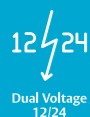
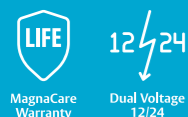
### Standard features

- MagnaCare<sup>®</sup> lifetime replacement, no-fault, no questions asked warranty
- The most dependable exit device available for magnetically locked openings
- Less than 4mm (1/8") mechanical movement and ultra-reliable touch sense technology working together in a single exit bar
- Circuit board is immune to electrostatic discharge - switching power supplies, proximity and garment readers and neon signs
- Bounce resistant to false triggering from outside impact
- All metal construction will stand up to rugged interior environments
- Allows field cutting to fit non-standard door widths
- Optional illuminated "Push To Exit" via internal fibre optic strip
- 16 ft. [4.8m] 22AWG 6 conductor cable and armoured door cord included
- Operates on either 12 or 24VDC
- Tested to 27,000 volts electrostatic discharge



## How to order

Order code	Description	Finish
MK	MK- Momentary, single gang	SS
MKA2	MK- Alternate, single gang	SS
MKN	MK- Momentary, narrow	SS



## Securitron DSB Dual Sense® Bar

## Dimensions



## Specifications

## Electrical

- Dual Sense Bar Only—  
24 mA at 12 or 24 VDC
- Dual Sense Bar with Illumination—  
44 mA at 12 or 24 VDC

## Environmental

- Operating Temperature: 32° to 120°F [0° to 49°C]
- Indoor use only

## Shipping weight

- 6 lbs [2.72kg] to 8 lbs [3.63kg]  
depending on length

## Finish

- Satin anodised aluminium

## Standards

- Lifetime guarantee

## How to order

Order code	Description	Finish
DSB-CL	DSB – Dual Sense bar 36"	SAA
DSB-CLI	DSB - Dual Sense bar 36" Illuminated	SAA

Securitron® CEPT  
Concealed Electrical  
Power Transfer

Beautifully crafted, compact,  
secure power transfer



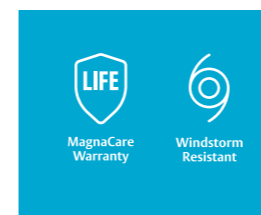
The heavy-duty,  
tamper-resistant  
Concealed Electrical  
Power Transfer (CEPT)  
securely transfers  
power and data from  
the hinge side of the  
frame to electrified  
hardware on the door.

The unit is discreetly concealed between the frame and door when the door is closed. Available in three multi-wire configurations and four finishes, the CEPT complements any architectural setting.

## Features

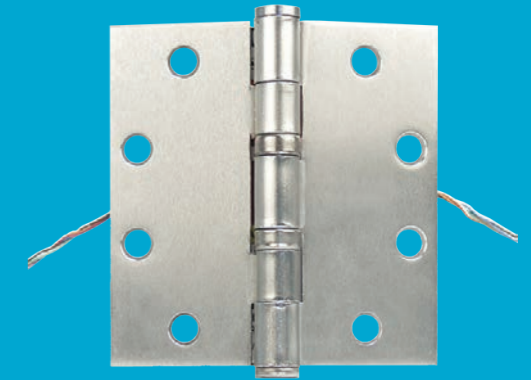
## Standard features

- MagnaCare® lifetime replacement, no-fault, no questions asked warranty
- Unit is discreetly concealed between the frame and door when the door is closed and complements any architectural setting
- Mortises into the edges of the door and frame
- Tamper resistant
- All metal construction including back boxes
- 7/8" [22.25mm] knockouts on back boxes accommodate EMF-type fittings
- Compatible with butt hinges up to 152.4mm and continuous hinges with cut out



# Securitron® EH Electric Hinge

Double duty hinge for streamlined power transfer



## Specifications

### Dimensions

- **CEPT Housing:**  
9-1/16" L x 1-3/16" W x 1-7/16" D  
[230.2mm L x 30.12mm W x 36.52mm D]

### Shipping weight

- 2.40 lbs [1.09kg]

### Finish

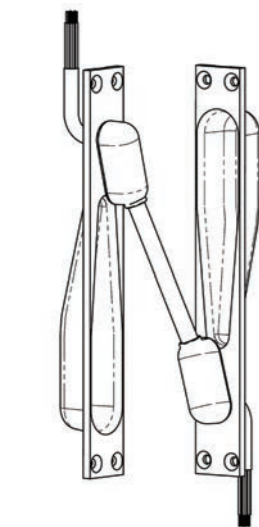
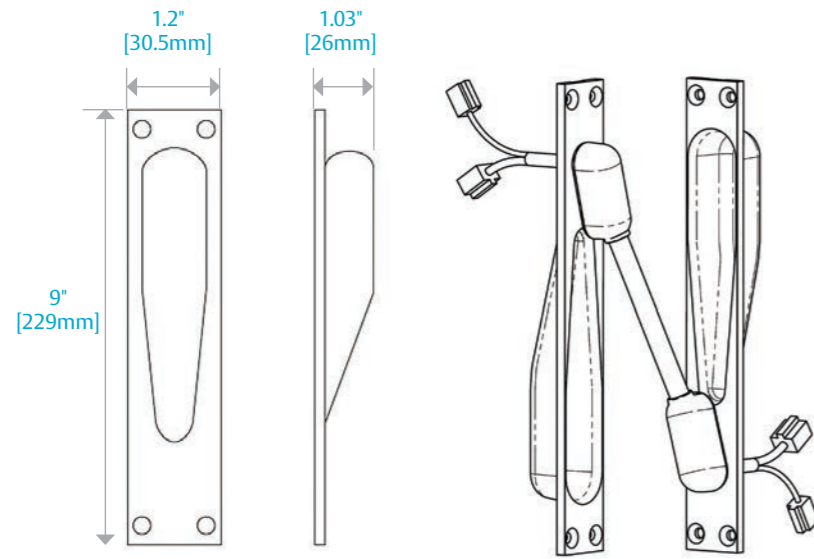
- Stainless steel

### Standards

- Lifetime guarantee

## Securitron CEPT Concealed Electrical Power Transfer

## Dimensions



### Technical note:

- Not for use with center hung or balanced doors, pocket or offset pivots or swing clear hinges.
- Door swing ranges when installed with butt hinges are:

Hinge Size	Swing Range
5" [127mm] or less	up to 180°
5-1/2" [139.7mm]	up to 130°
6" [152.4mm] Butt Hinge	up to 110°

## How to order

Order code	Description	Finish
CEPT-10	CEPT – CONCEALED DOOR LOOP 10 WIRE	SS
CEPT-10-04	CEPT – CONCEALED DOOR LOOP 10 WIRE	SB
CEPT-NW	CEPT – CONCEALED DOOR LOOP WITHOUT WIRE	SS

An efficient, discreet, concealed solution that provides power and data transfer from frame to door when streamlined wiring is needed.

Each hinge features concealed plug connectors that eliminate separate or exposed wiring. Ultimate concealment for tamper-resistance.

## Features

### Standard features

- MagnaCare® lifetime replacement, no-fault, no questions asked warranty
- Transfer power with the highest level of concealment for an aesthetically pleasing finish
- Available in 101.6mm or 114.3mm hinge length
- 500 mA power capacity
- 6 conductor, 29 gauge wire
- 152.4mm pigtail provided for connections

### Shipping weight

- 1.10 lbs [0.50kg]

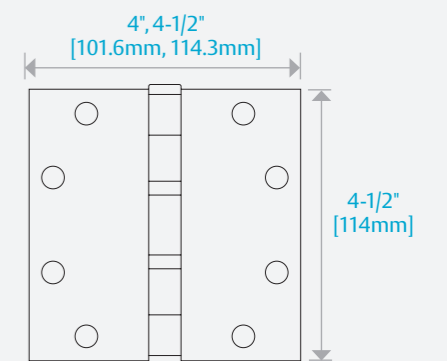
### Finish

- Stainless steel

### Standards

- Lifetime guarantee

## Dimensions



## How to order

Order code	Description	Finish
EH-40	EH - 6 wire 101.6mm hinge length	SS
EH-45	EH - 6 wire 114.3mm hinge length	SS



# Glossary of common electrified locking terms

## Access control

Any person, device or system that qualifies a request for access. This can include recognition by others, possession of the correct key or card, knowledge of the correct code, or having the biological features to pass biometric review (facial recognition, retina scans, fingerprints, hand geometry, etc.) Failure to qualify typically results in not gaining entry.

## Egress control

Any person, device or system that qualifies a request to exit. Such control is commonly used in institutional occupancies where egress presents a danger to oneself or to others. Failure to qualify typically results in not being able to exit.

## Free egress

The ability to exit at will.

## Free ingress

The ability to enter at will.

## Delayed egress

A delay between the attempt to exit and the ability to exit. In door hardware systems, it is accomplished by the triggering of a switch within a component of the door hardware during the course of an exit attempt. The switch starts an irrevocable timing sequence, usually 15 seconds, leading to the unlocking of the door in the direction of egress.

## Fail secure

A term used to describe an electric lock that has a mechanical state of being locked and requires power to unlock it. Also known as electrically unlocked.

## Fail safe

A term used to describe an electric lock that has a mechanical state of being unlocked and requires power to lock it. Also known as electrically locked.

## Switch bar, aka active dummy with switch

A panic style bar with no latching mechanism that is designed to switch a low voltage electrical current. Some are UL Listed for the purpose of directly breaking power to an electromagnetic lock.

## Door position switch (DPS)

A door position switch (DPS) provides a signal to an access control system indicating whether the door is open or closed.

## Request to exit (REX)

Some access control hardware offer integrated motion detectors that automatically signal the lock to disengage when it detects approaching traffic.






## Passive infrared (PIR)

A passive infrared (PIR) sensor measures invisible radiant light radiating from objects in its field of view.

## Metal oxide varistor (MOV)



Metal Oxide Varistors (MOV) are used as compensation elements in circuits to protect against excessive transient voltages.

## Icon glossary

Icon		Descriptions
	Grade 1	Electric Strikes — 1500lbs or greater static holding force, 70 ft lbs of dynamic holding force, and withstands 500,000 cycles of operation Electromagnetic Locks — 1500lbs or greater static holding force, 70 ft lbs of dynamic holding force, and withstands 1 Million cycles of operation
	Grade 2	Electric Strikes — 1000lbs or greater static holding force, 50 ft lbs of dynamic holding force, and withstands 300,000 cycles of operation Electromagnetic Locks — 1000lbs or greater static holding force, 50 ft lbs of dynamic holding force, and withstands 1 Million cycles of operation
	Grade 3	Electric Strikes — 500lbs or greater static holding force, 33 ft lbs of dynamic holding force, and withstands 100,000 cycles of operation Electromagnetic Locks — 1000lbs or greater static holding force, 33 ft lbs of dynamic holding force, and withstands 1 Million cycles of operation
	MagnaCare® warranty	ASSA ABLOY Electronic Security Hardware's exclusive MagnaCare® lifetime replacement, no-fault, no questions asked warranty
	SecuriCare warranty (10)	ASSA ABLOY Electronic Security Hardware's exclusive SecuriCare ten-year, no-fault, no questions asked warranty
	SecuriCare warranty (5)	ASSA ABLOY Electronic Security Hardware's exclusive SecuriCare five-year, no-fault, no questions asked warranty
	SecuriCare warranty (3)	ASSA ABLOY Electronic Security Hardware's exclusive SecuriCare three-year, no-fault, no questions asked warranty
	Mortise locks with deadbolts	A lock case that fits into a prepared rectangular shaped recess in the edge of a door. Deadbolts are bolts having no spring action, but are operated by a thumb turn or key
	Mortise locks without deadbolt	A lock case that fits into a prepared rectangular shaped recess in the edge of a door. Latchbolts are a spring actuated bolt, with a beveled surface, which, when aligned with the strike plate, engages it automatically.
	Cylindrical lockset	A lock for a door prepared with one or more cross-bores and one or more edge-bores
	Rim exit devices	A latch mechanism that releases by depressing a cross bar or panel extending across the width of the door sometimes called a panic bar, panic exit hardware or fire exit bolt
	Specialty locksets	Includes specialty locksets including but not limited to cylindrical deadbolt, hook bolt, unit lock, weiser bolt, and narrow style aluminum lock
	Swinging door	For use on swinging doors or cabinets
	Sliding door	For use on sliding doors or cabinets
	Roll-up door	For use on roll-up doors or cabinets



## Icon glossary

Icon	Descriptions	
 Drawers	Drawers	For use on cabinet drawers
 Field Selectable (Fail secure/Fail safe)	Field selectable fail secure/fail safe	Product able to be configured in the field to operate in fail safe (power to lock) or fail secure (power to unlock)
 Dual Voltage 12/24	Dual voltage	Product able to be configured in the field to operate on either 12 or 24 volts or provide 12 or 24 volts
 Auto Sensing Dual Voltage 12/24	Auto sensing dual voltage	Product automatically configures to operate on either 12 or 24 volts
 PoE friendly	PoE friendly	An electronic locking device with a standby current draw of less than 300 mA at 12 VDC, which ensures compatibility with most PoE enabled door controllers with sufficient capacity to allow for other access control peripherals to be powered around the door
 Battery Backup	Battery backup	Supports the addition of batteries to provide backup power in case of a primary source power outage
 Windstorm Resistant	Windstorm resistant	Windstorm resistant products are certified to meet the performance requirements of windstorm-rated assemblies on exterior swinging door applications (Products are designed and tested to perform in sustained winds up to 150 miles per hour)
 Preload	Preload capable	Preload capable products are capable of opening under load as defined applicable ANSI/BHMA standards
 Outdoor Rated	Outdoor rated	Product has been tested and shown to comply to UL1034, including the "Outdoor Equipment Use" section
 Burglary Rated	Burglary rated	Product has been tested and shown to comply to UL1034
 UL listed	UL listed	UL Listed means that UL has tested representative samples of the product and determined that it meets UL's requirements. These requirements are based primarily on UL's published and nationally recognized Standards for Safety
 CE listed	CE listed	CE listed is a conformity marking for certain products sold within the European Economic Area (EEA)
 UKCA listed	UKCA listed	UKCA marking will replace CE marking for any applicable products that are or will be placed in the GB market.
 Environmental product declaration	Environmental product declaration	A UL-certified Environmental Product Declaration (EPD) is a thorough, internationally harmonized report produced by a manufacturer documenting the ways a product, throughout its lifecycle, impacts the environment



The ASSA ABLOY Group is the global leader in access solutions. Every day we help people feel safe, secure and experience a more open world.

**ASSA ABLOY**  
Opening Solutions

ASSA ABLOY Opening Solutions UK & Ireland  
Door Hardware Group  
School Street  
Willenhall  
West Midlands  
WV13 3PW

+44 (0)845 223 2124  
[csdcomm@assaabloy.com](mailto:csdcomm@assaabloy.com)

[www.assaabloy.com](http://www.assaabloy.com)

August 2022